

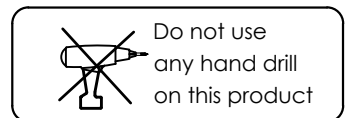
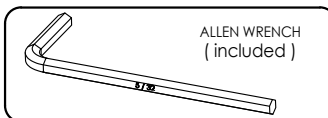
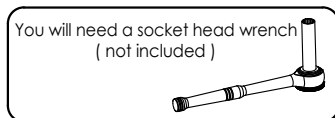
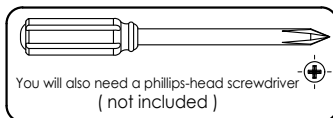
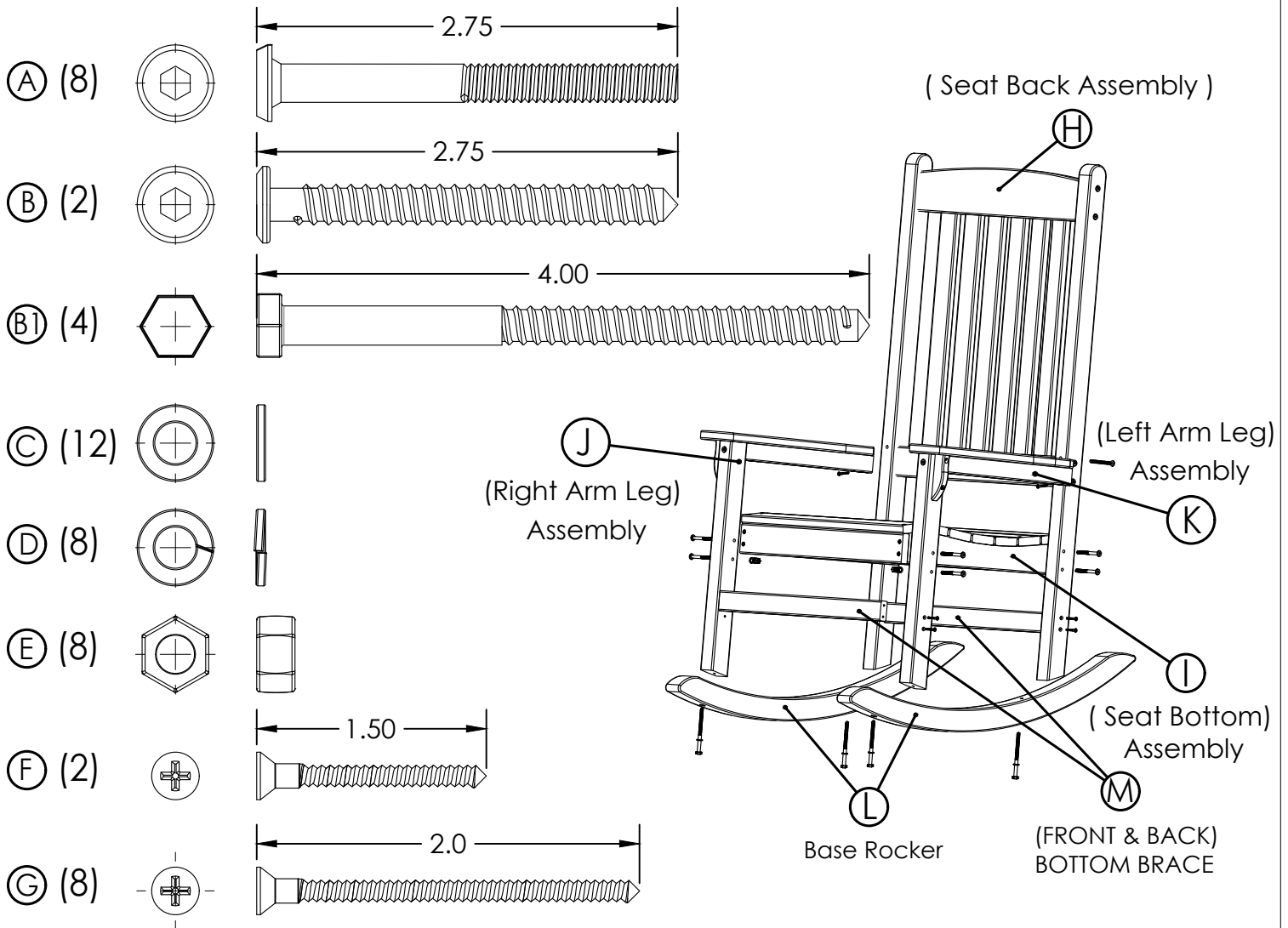
# SISTER BAY

FURNITURE CO.

## Assembly Instructions

Item No: MGLE-PR  
Glendale Porch Rocker

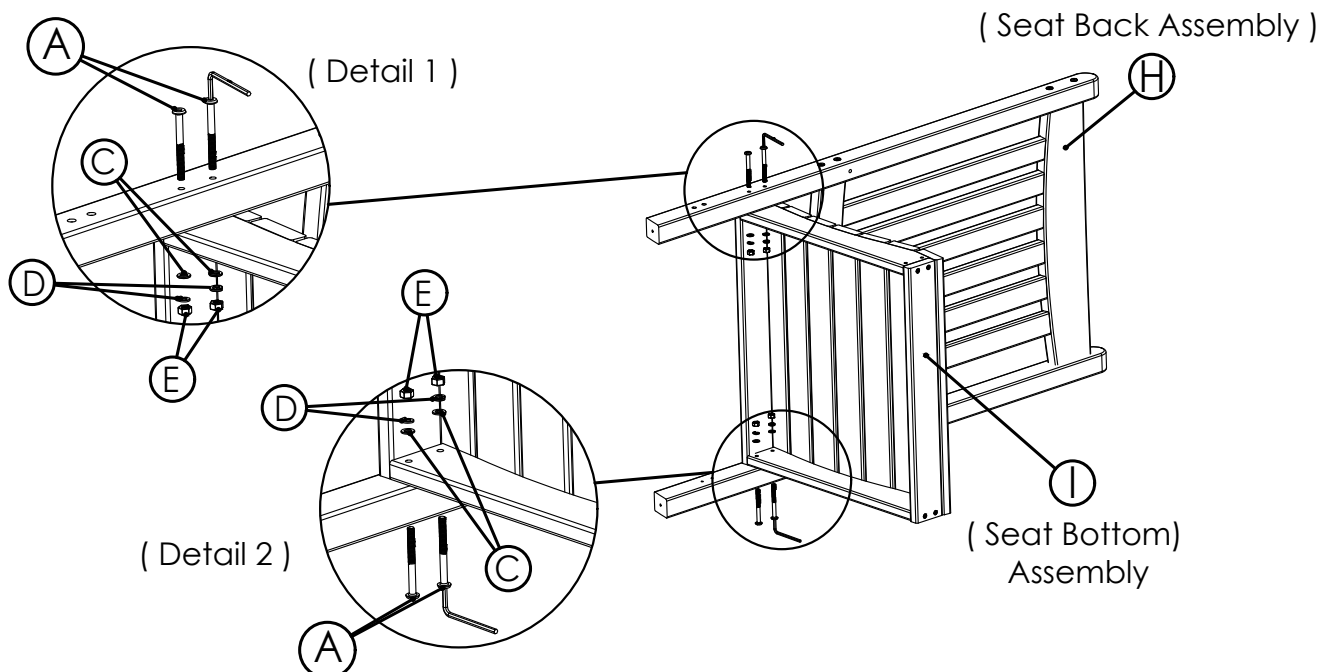
### Hardware and Parts



### Assembly Instructions

### Figure 1

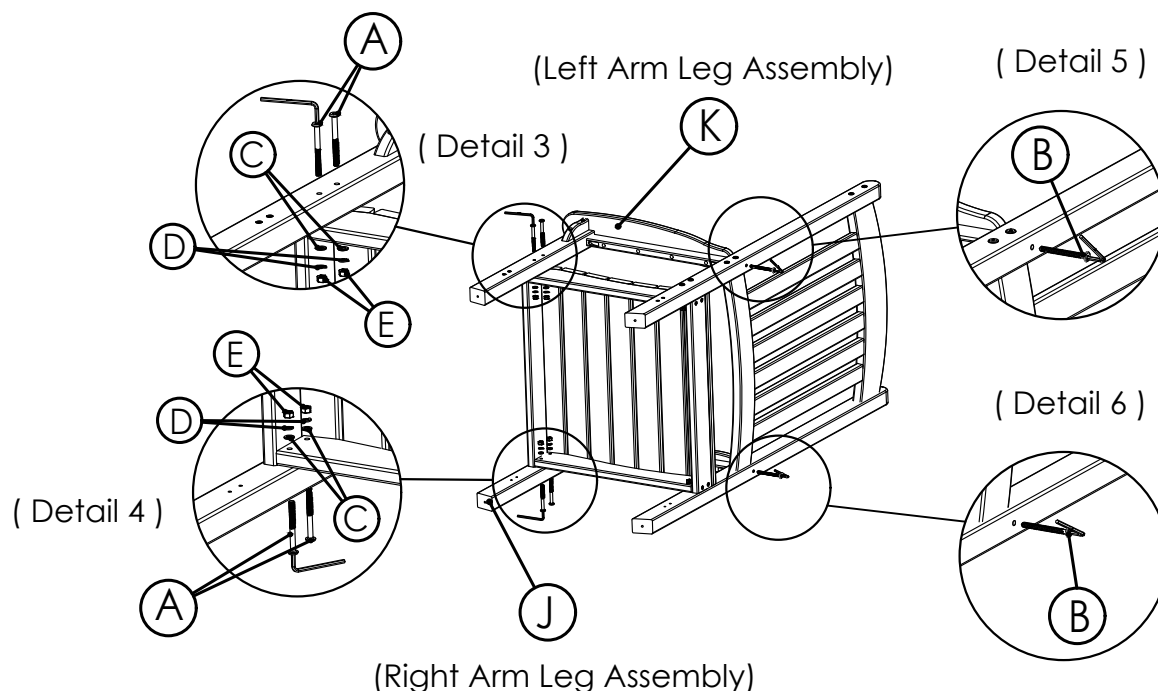
1 - Attach part (H), Seat Back Assembly, to part (I), Seat Bottom Assembly, as shown in figure 1 see detail 1 and detail 2 using (4) of joint connector bolts (A), 2 on each side, (4) washers (C), (4) Lock washers (D) and (4) hex nuts (E), tighten bolts using an Allen Wrench.



## Figure 2

2-1 Attach part ( J ), Right Arm Leg Assembly, and part ( K ), Left Arm Leg Assembly to Assembly from Figure 1 as shown in Figure 2 see detail 3 and detail 4, using ( 4 ) of joint connector bolts ( A ), 2 on each side, ( 4 ) washers ( C ), ( 4 ) Lock washers ( D ) and ( 4 ) hex nuts ( E ), tighten bolts using an Allen Wrench .

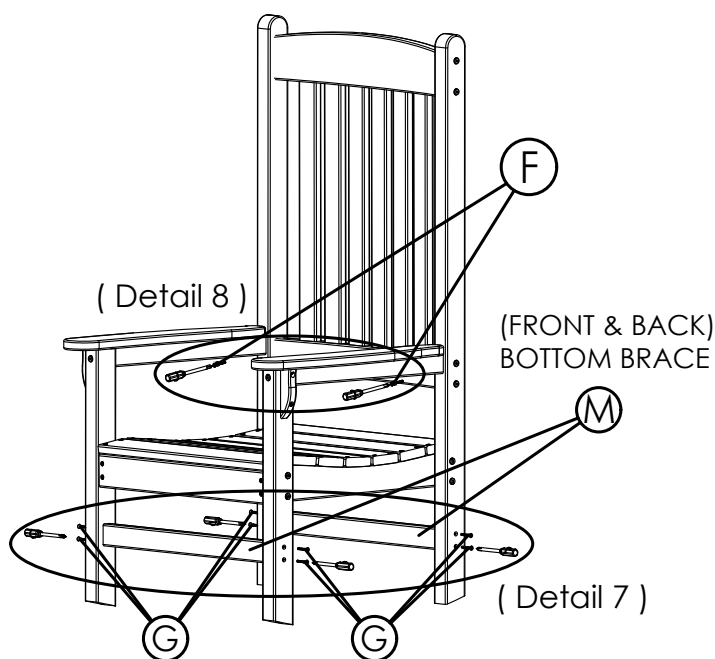
2-2 To secure the arm to the back of the chair, as shown in detail 5 and detail 6, using ( 2 ) of lag screws ( B ), 1 on each side, tighten screws using an Allen Wrench .



## Figure 3

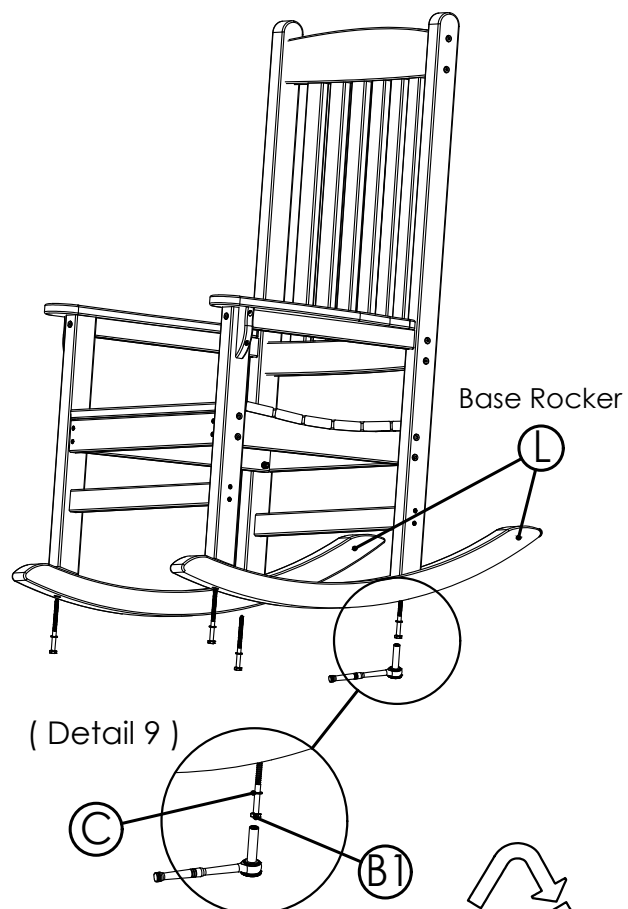
3-1 Attach parts ( M ), Front and Back Bottom Brace to Assembly from Figure 2 using 8 of screws ( G ) as shown in detail 7, tighten screws using a phillips-head screwdriver .

3-2 To secure the arm from twisting use 2 of screws ( F ) as shown in detail 8, tighten screws using a phillips-head screwdriver .



## Figure 4

4- Attach parts ( L ), Base Rocker to Assembly from Figure 3 using 4 of lag screws ( B1 ) and ( 4 ) washers ( C ) as shown in detail 9, tighten screws using an allen wrench .



### CARE AND MAINTENANCE

To clean your product, use mild soap and water. For heavy soil build-ups use any non-abrasive household cleaners or ask your Sales Representative about Sister Bay Furniture Cleaner.

Please contact our Customer Service Department for assembly assistance, questions or replacement parts at 1-866-947-7632 or email [info@sisterbayfurniture.com](mailto:info@sisterbayfurniture.com). Our Customer Service Department is available Monday - Friday from 8:30 a.m. to 4:30 p.m. EST