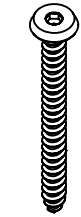
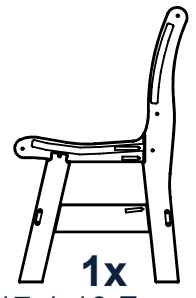
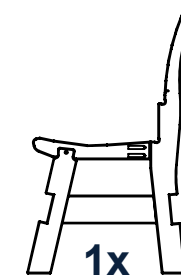
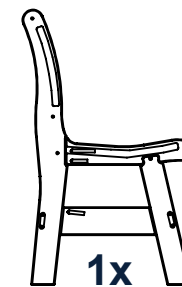
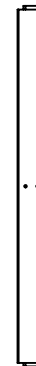
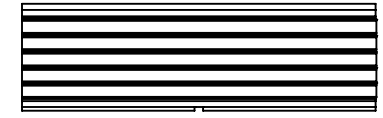
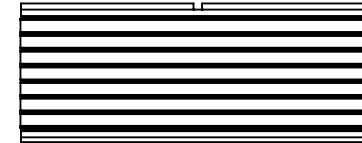
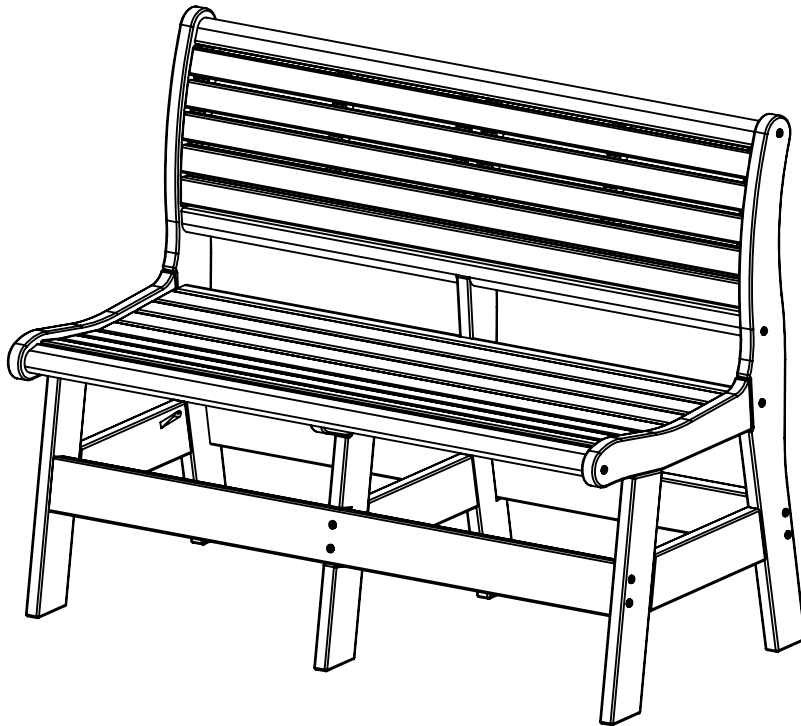


### HARDWARE:



### PARTS:



**WARNING:**

Using power tools may result in overtorquing screws causing threads to strip. We are not responsible for replacements on parts where power tools were used.



**CARE & MAINTENANCE:** To clean your product, use mild soap and water. For heavy soil build-ups use any non-abrasive household cleaners or ask your Sales Representative about Sister Bay Furniture Cleaner. Please contact our Customer Service Department for assembly assistance, questions or replacement parts at (800) 505-7926 or email [support@sisterbayfurniture.com](mailto:support@sisterbayfurniture.com). Our Customer Service Department is available Monday-Friday 8:30 a.m. to 4:30 p.m. CST

# SISTER BAY

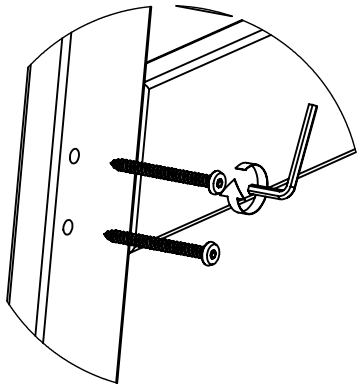
FURNITURE CO.

Newport Collection

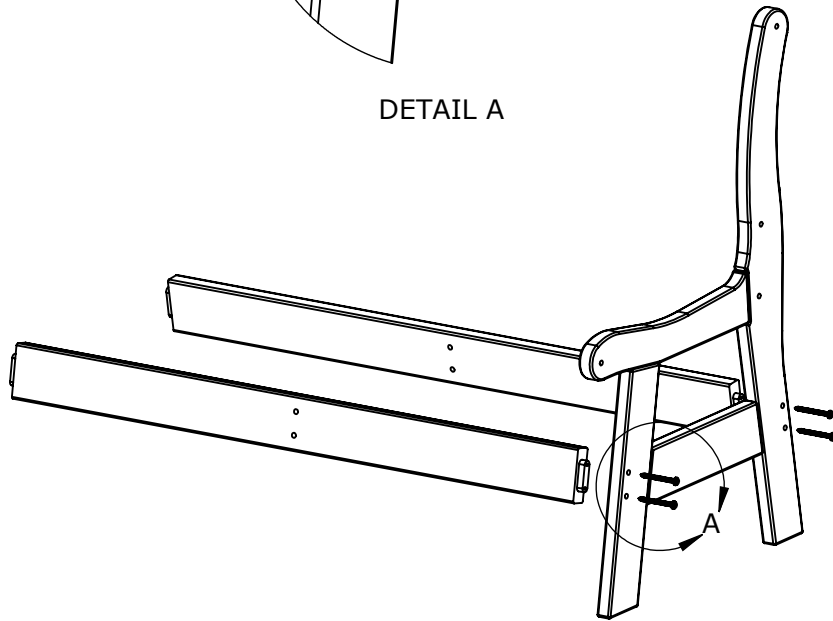
48" Bench W/ Back.

MODEL No: 17-1-10

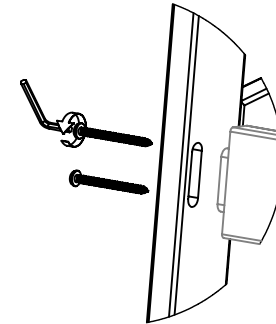
# 1



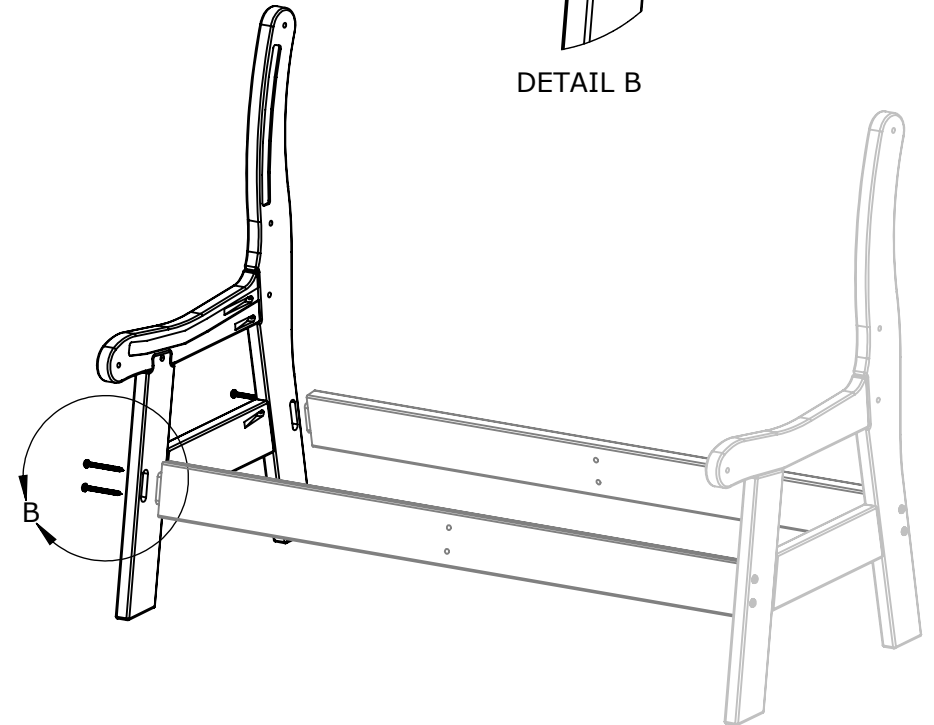
DETAIL A



# 2



DETAIL B



- A. Have [2x] Screws and Allen Wrench within reach for step 1B.
- B. Put 17 Rail F&B into 17-1-10 Frame Left Asm Slots.
- C. Start fastening [2x] screws through frame into rail, **leave loose**.
- D. Repeat steps 1B-1C for the other rail.

- A. Repeat Step 1 for 17-1-10 Frame Right Asm

# SISTER BAY

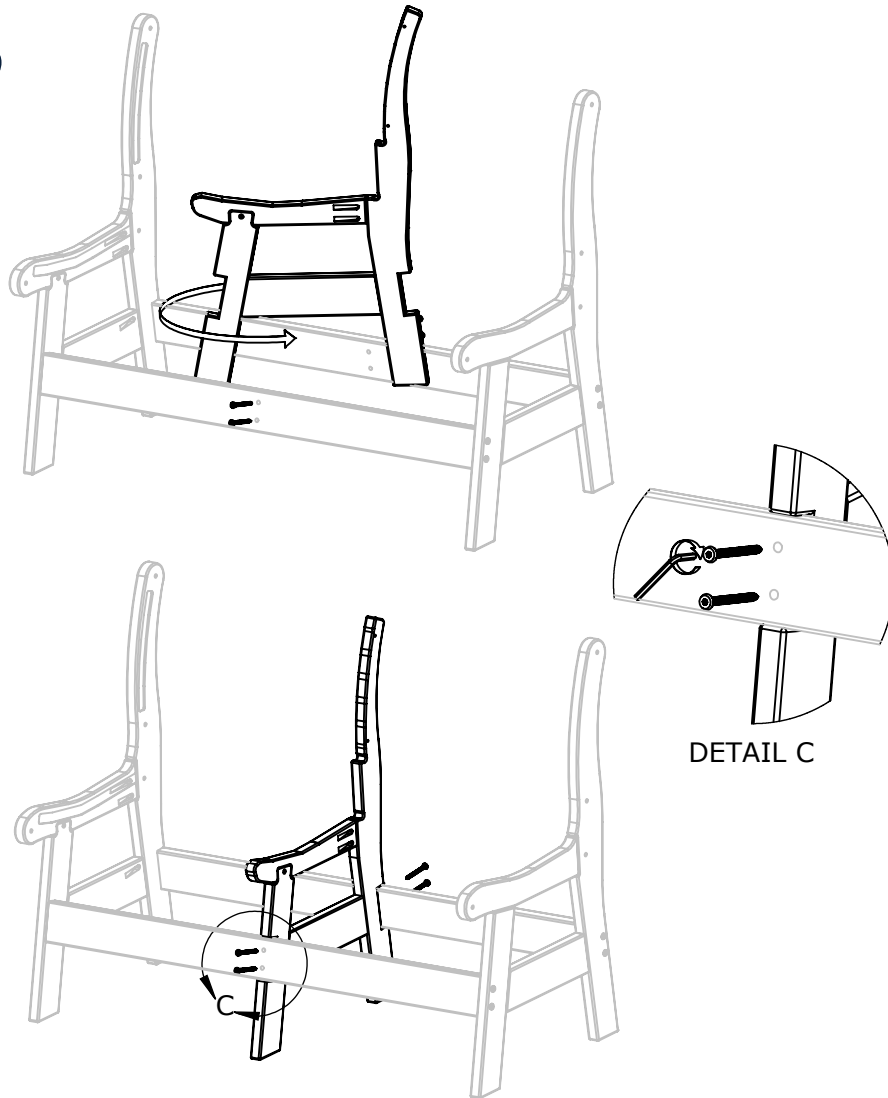
FURNITURE CO.

Newport Collection

48" Bench W/ Back.

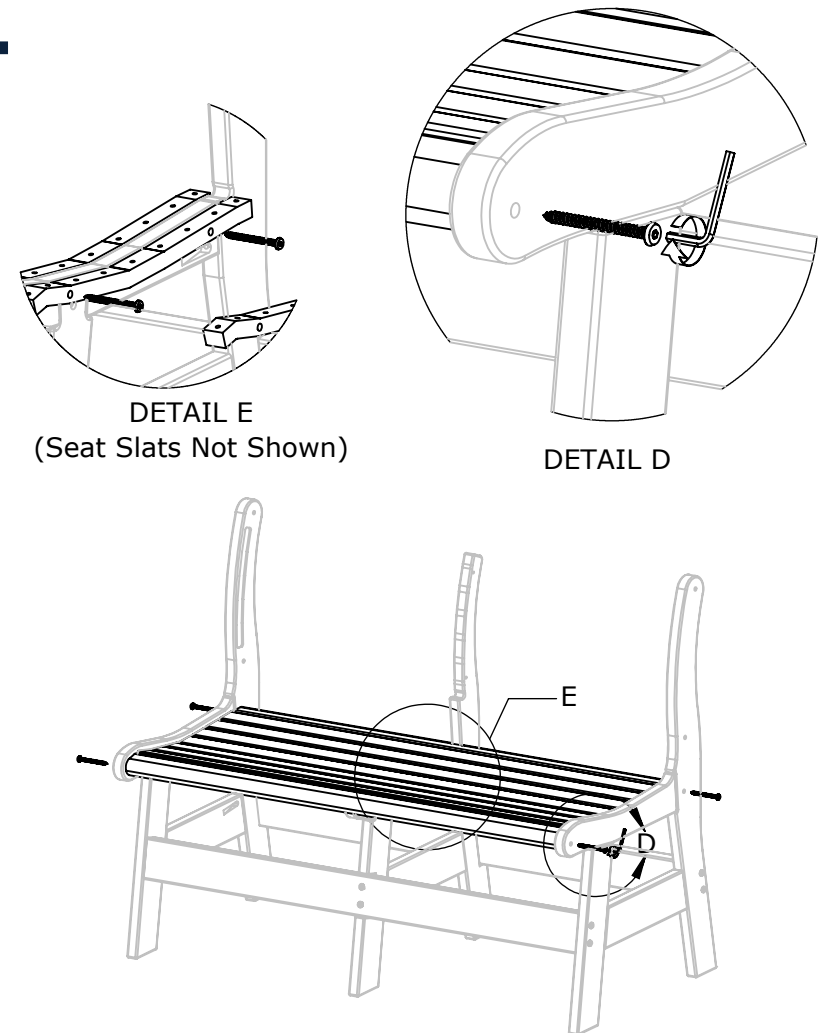
MODEL No: 17-1-10

3



- A. Rotate 17-1-10 Frame Center Asm into center of rails, so the rails fit into the slots, and holes line up.
- B. Fasten [4x] screws through rail into frame, fully tighten (DETAIL C).

4



DETAIL E  
(Seat Slats Not Shown)

DETAIL D

- A. Set 17 Seat Asm onto 17-1-10 Frame Center Asm & the slats should fit into the grooves on the left and right frame.
- B. Fasten left & right frames to seat with [4x] screws; **keep loose**.
- C. Fasten center frame to seat from underside (DETAIL E) with [2x] screws; fully tighten.

# SISTER BAY

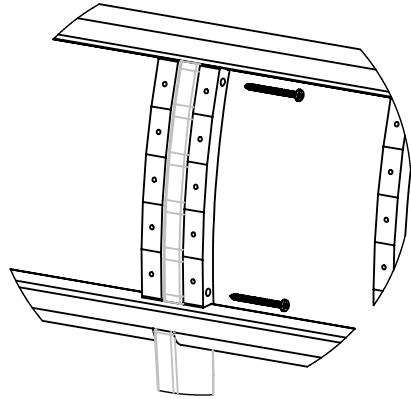
FURNITURE CO.

Newport Collection

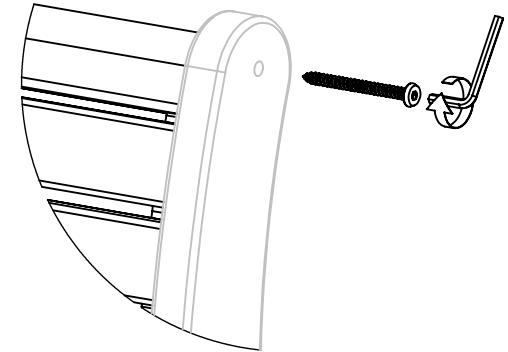
48" Bench W/ Back.

MODEL No: 17-1-10

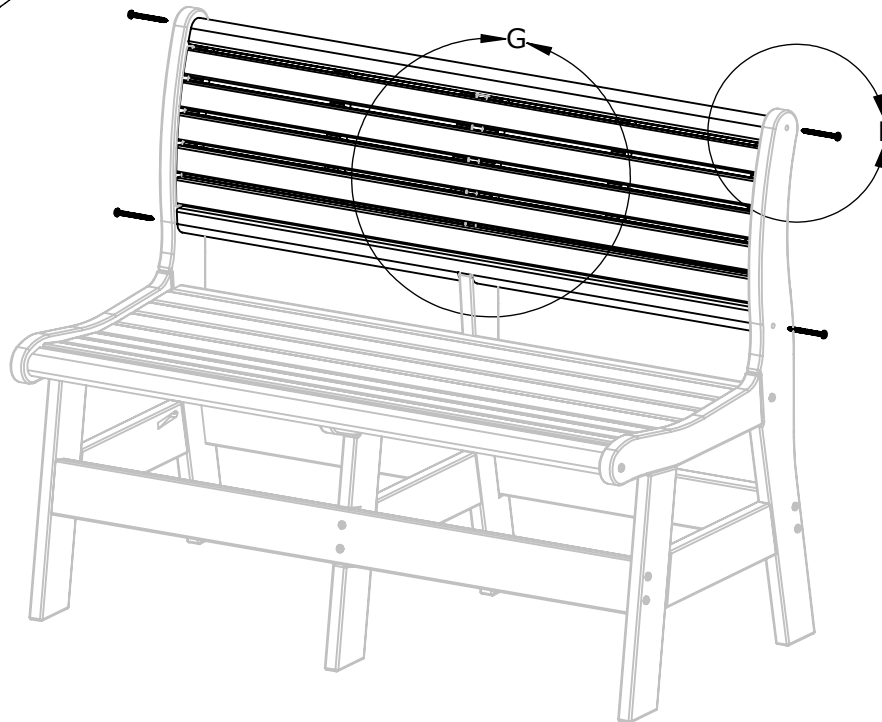
5



DETAIL G  
(SLATS HIDDEN)



DETAIL F



- A. Set 17-10 Back Asm into slot on center frame.
- B. Fasten into place with [6x] screws, 2 screws per frame (DETAIL F).
- C. Next **fully tighten all screws from steps 1, 2, and 4.**

# SISTER BAY

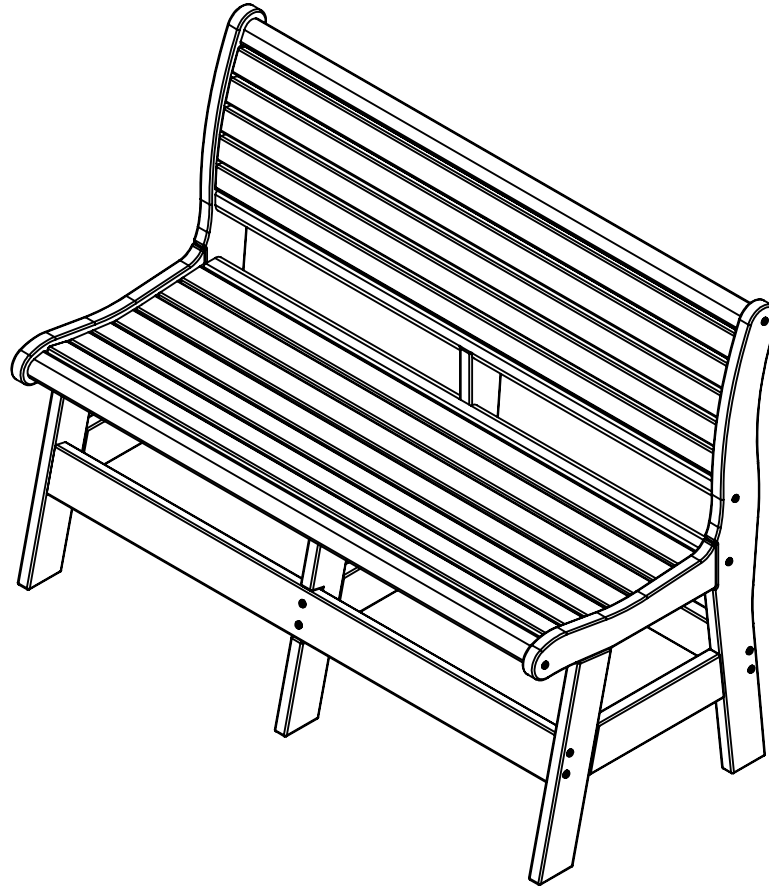
FURNITURE CO.

---

Newport Collection

48" Bench W/ Back.

MODEL No: 17-1-10



**FINAL STEP:**

Sit down, rock side to side, and say  
"yep, that ain't going anywhere"