

### Hardware and Parts

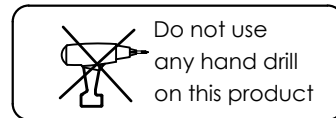
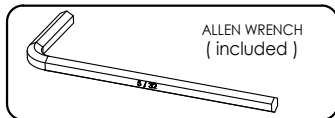
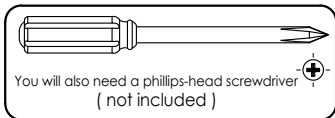
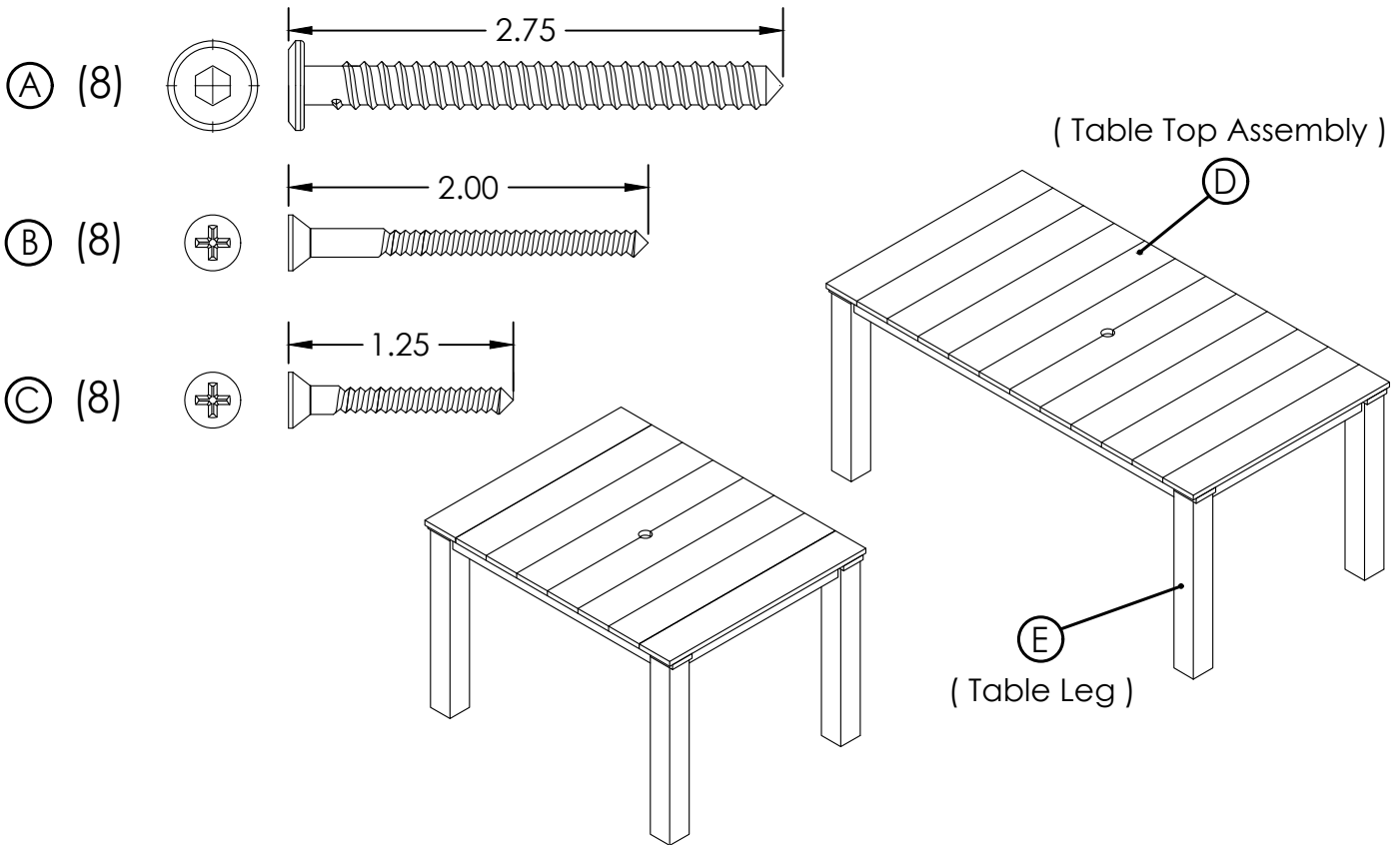
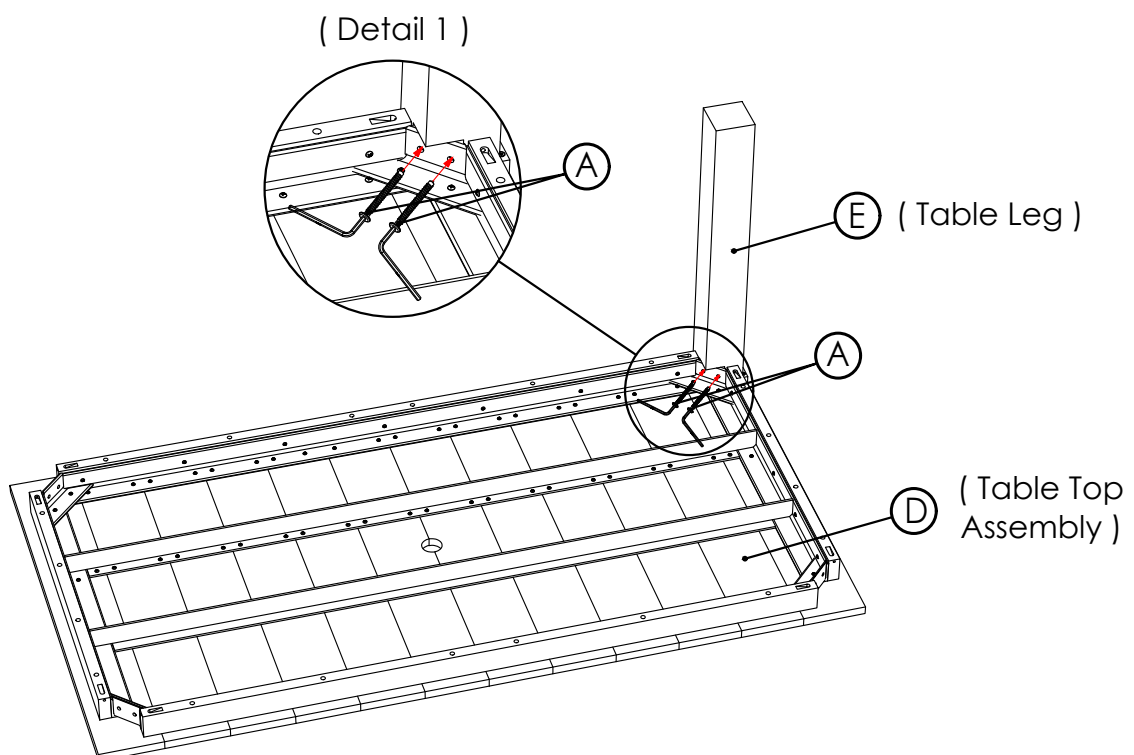


Figure 1

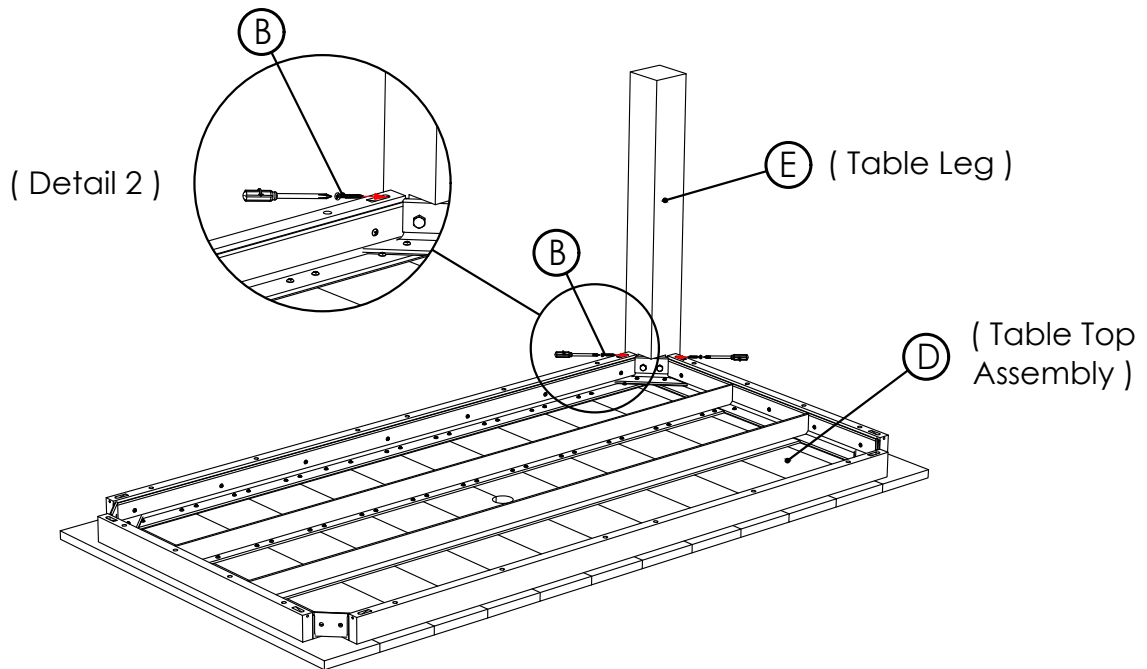
### Assembly Instructions

1 - Attach part ( E ), Table Leg to part ( D ), table Top, as shown in Figure 1, see detail 1 using ( 8 ) lag screws ( A ) 2 for each leg, tighten screws using an allen wrench. Follow the same instructions for the remaining legs.



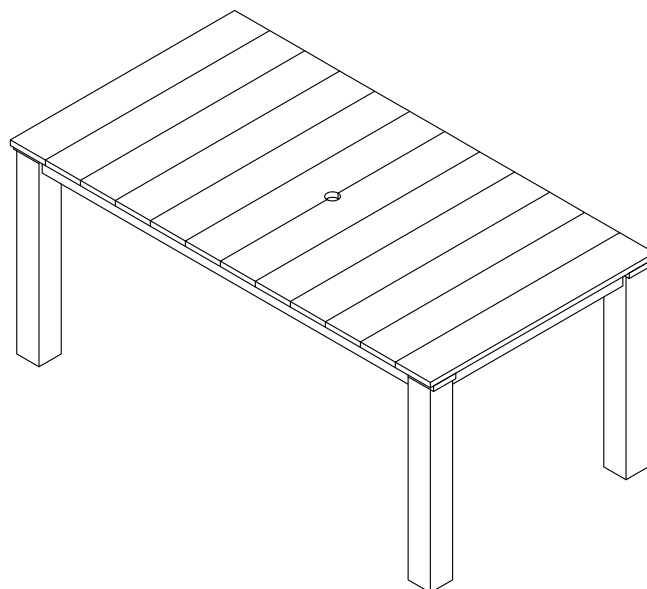
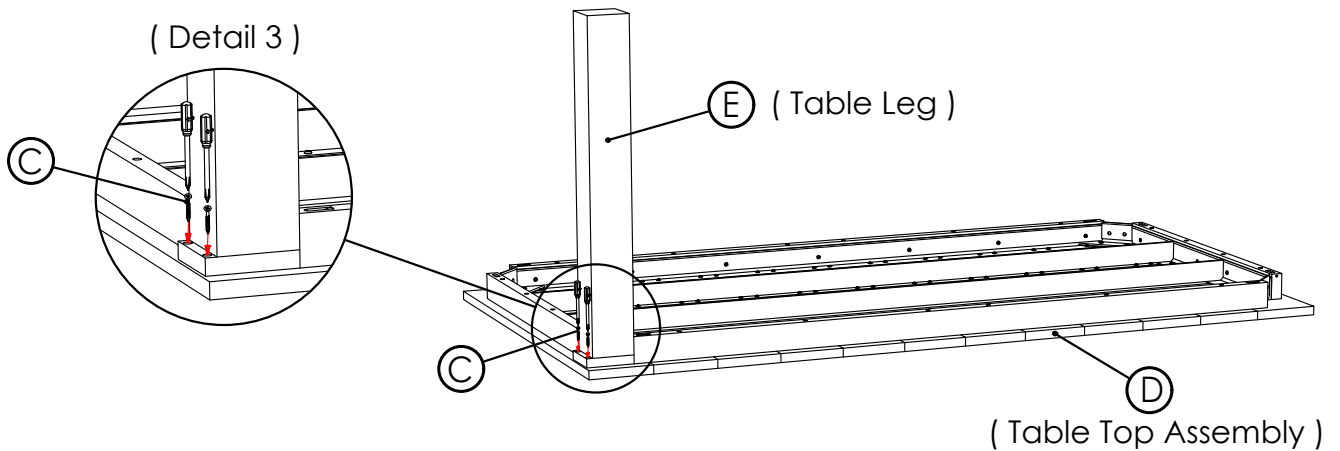
## Figure 2

2 - Attach part ( E ), Table Leg to part ( D ), table Top, as shown in Figure 2, see detail 2 using ( 8 ) of screw ( B ) 2 for each leg, tighten screws using a phillips-head screwdriver. Follow the same instructions for the remaining legs.



## Figure 3

3 - Attach part ( E ), Table Leg to part ( D ), table Top, as shown in Figure 3, see detail 3 using ( 8 ) of screw ( C ) 2 for each leg, tighten screws using a phillips-head screwdriver. Follow the same instructions for the remaining legs.



### CARE AND MAINTENANCE

To clean your product, use mild soap and water. For heavy soil build-ups use any non-abrasive household cleaners or ask your Sales Representative about Sister Bay Furniture Cleaner.

Please contact our Customer Service Department for assembly assistance, questions or replacement parts at 1-866-947-7632 or email [info@sisterbayfurniture.com](mailto:info@sisterbayfurniture.com). Our Customer Service Department is available Monday - Friday from 8:30 a.m. to 4:30 p.m. EST