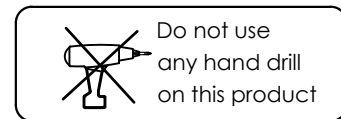
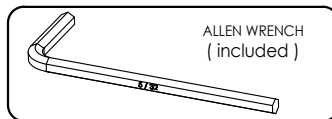
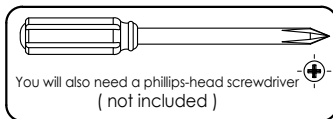
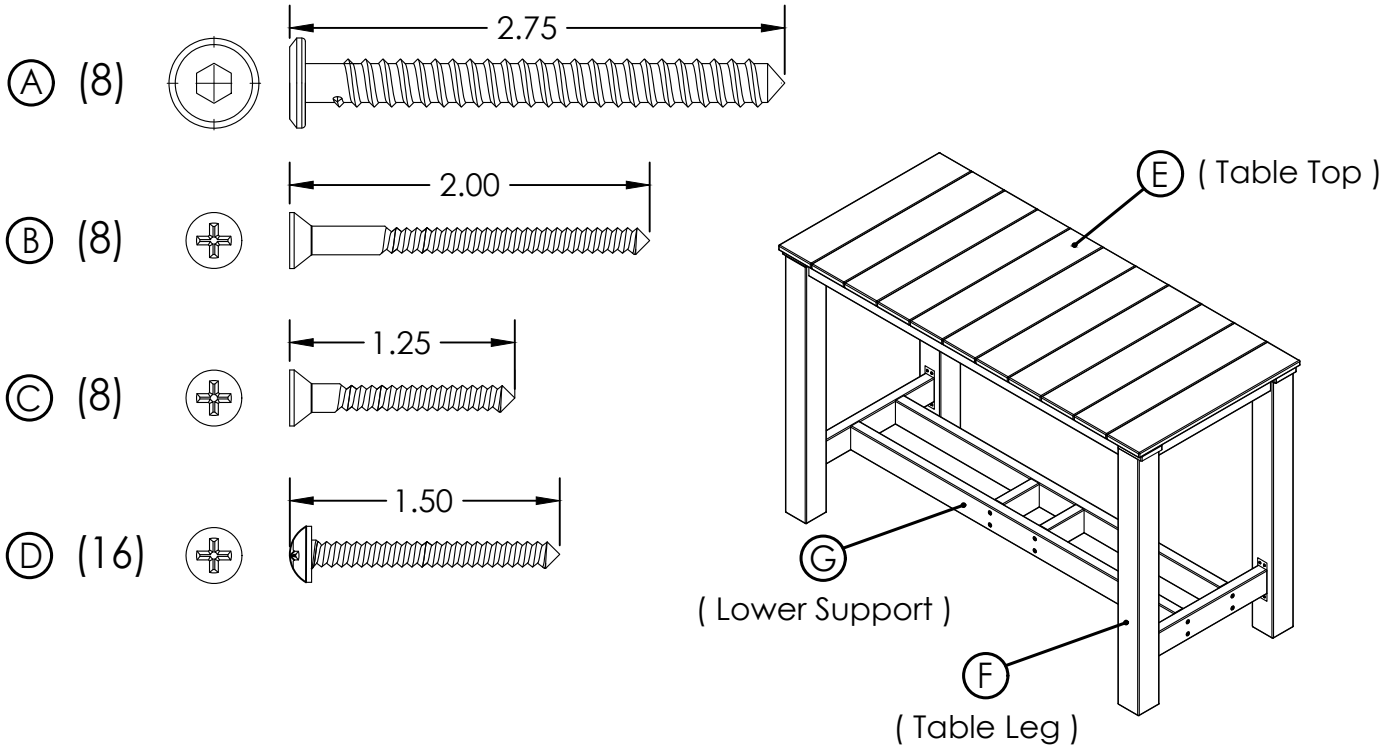


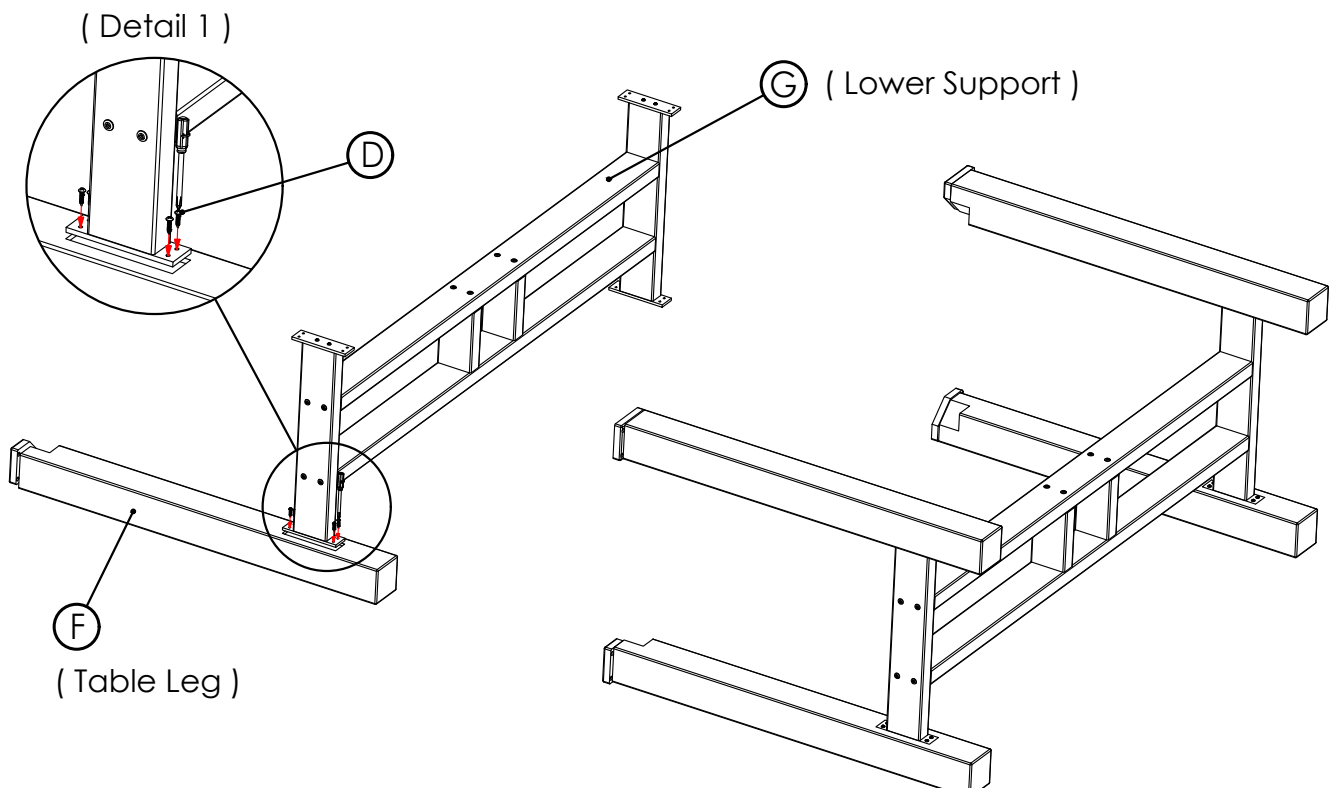
### Hardware and Parts



### Assembly Instructions

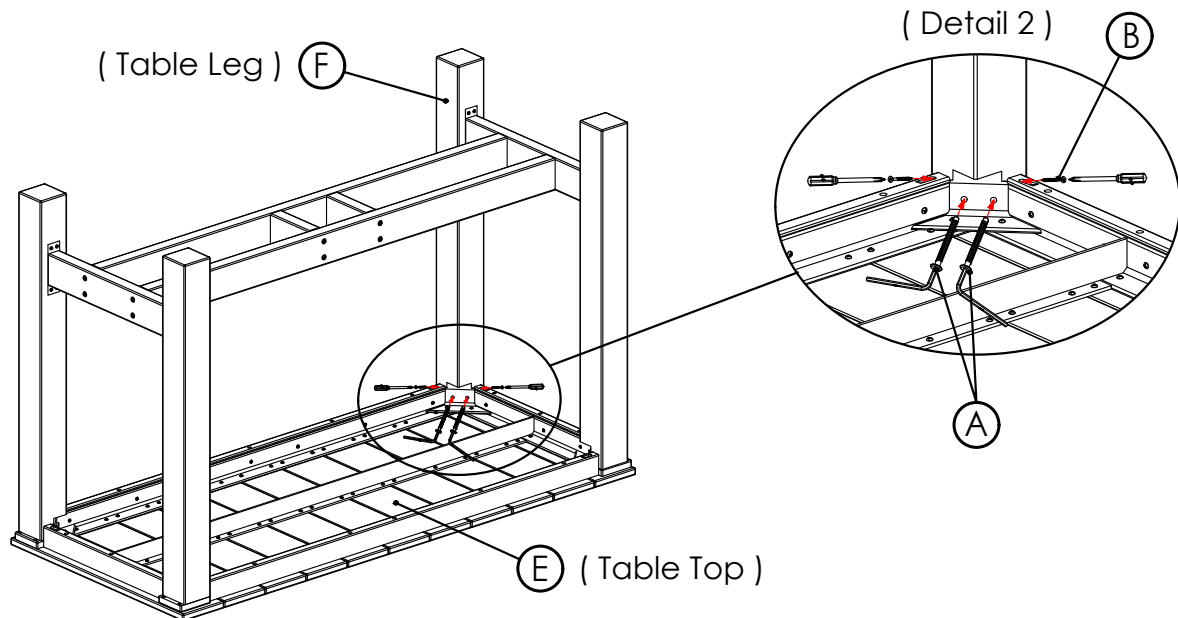
#### Figure 1

1 - Attach part ( G ), Lower Support to part ( F ), Table Leg, as shown in Figure 1, see detail 1 using ( 16 ) of screws ( D ) 4 for each leg, tighten screws using a phillips-head screwdriver. Follow the same instructions for the remaining legs.



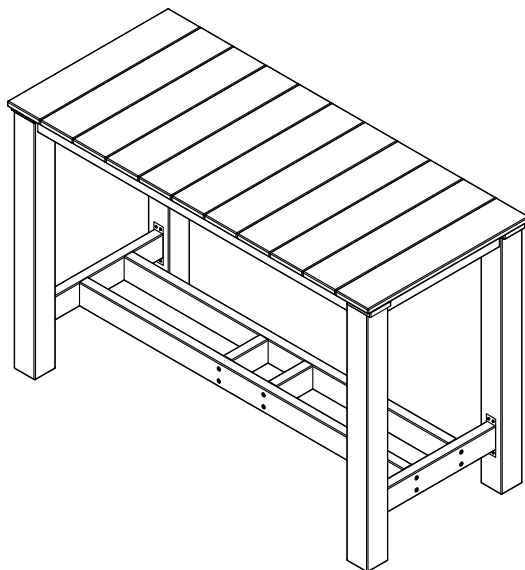
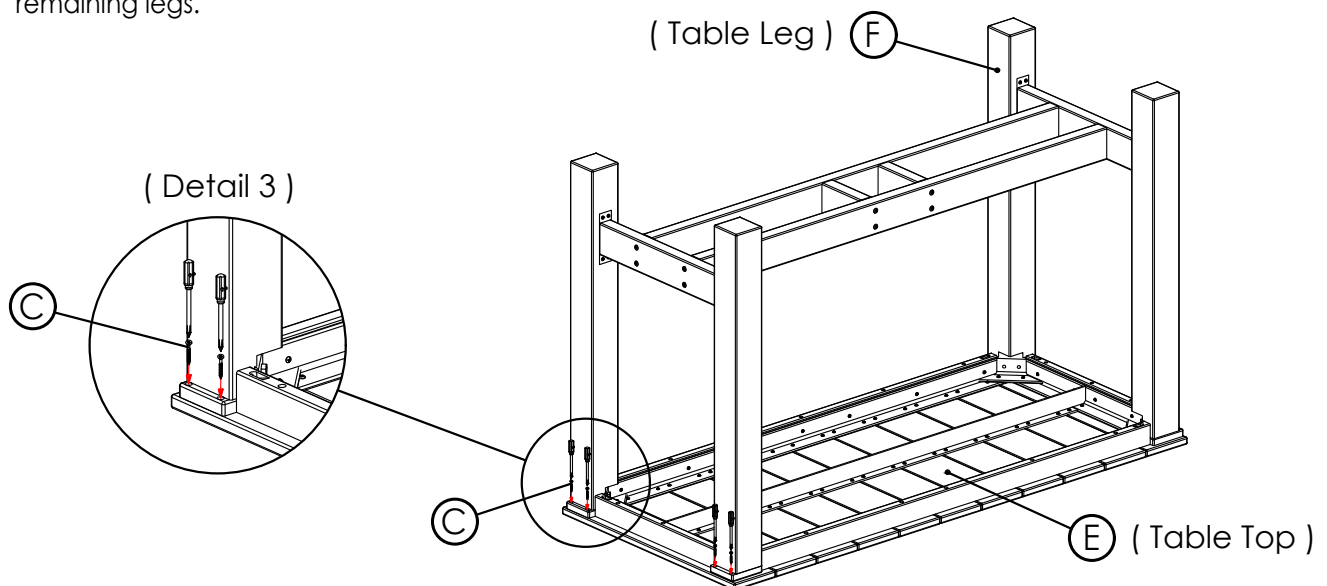
## Figure 2

- 2 a- Attach part ( F ), Table Leg to part ( E ), table Top, as shown in Figure 2, see detail 2 using ( 8 ) lag screws ( A ) 2 for each leg, tighten screws using an allen wrench. Follow the same instructions for the remaining legs.
- 2 b- Attach part ( F ), Table Leg to part ( E ), table Top, as shown in Figure 2, see detail 2 using ( 8 ) of screw ( B ) 2 for each leg, tighten screws using a phillips-head screwdriver. Follow the same instructions for the remaining legs.



## Figure 3

- 3 - Attach part ( F ), Table Leg to part ( E ), table Top, as shown in Figure 3, see detail 3 using ( 8 ) of screw ( C ) 2 for each leg, tighten screws using a phillips-head screwdriver. Follow the same instructions for the remaining legs.



### CARE AND MAINTENANCE

To clean your product, use mild soap and water. For heavy soil build-ups use any non-abrasive household cleaners or ask your Sales Representative about Sister Bay Furniture Cleaner.

Please contact our Customer Service Department for assembly assistance, questions or replacement parts at 1-866-947-7632 or email [info@sisterbayfurniture.com](mailto:info@sisterbayfurniture.com). Our Customer Service Department is available Monday - Friday from 8:30 a.m. to 4:30 p.m. EST