

Hardware and Parts

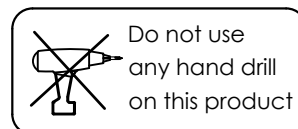
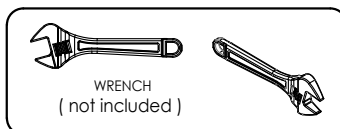
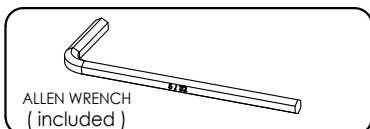
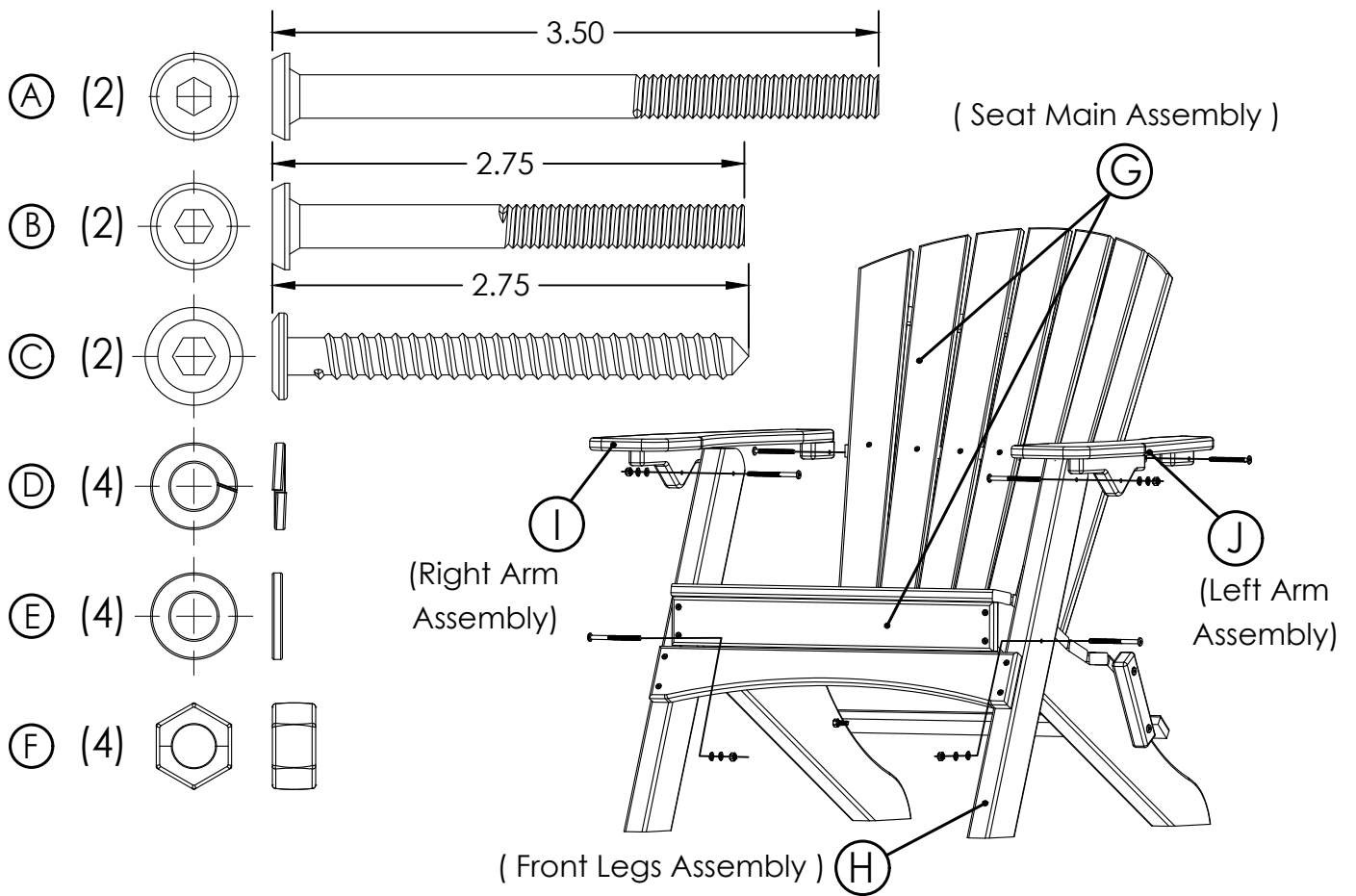


Figure 1

Assembly Instructions

1 - Attach part (H), Front Legs Assembly, to part (G), Seat Main Assembly, as shown in Figure 1 see detail 1 using (2) of joint connector bolts (A), (2) Lock washers (D), (2) washers (E) and (2) hex nuts (F), tighten bolts using an allen wrench and also an adjustable wrench.

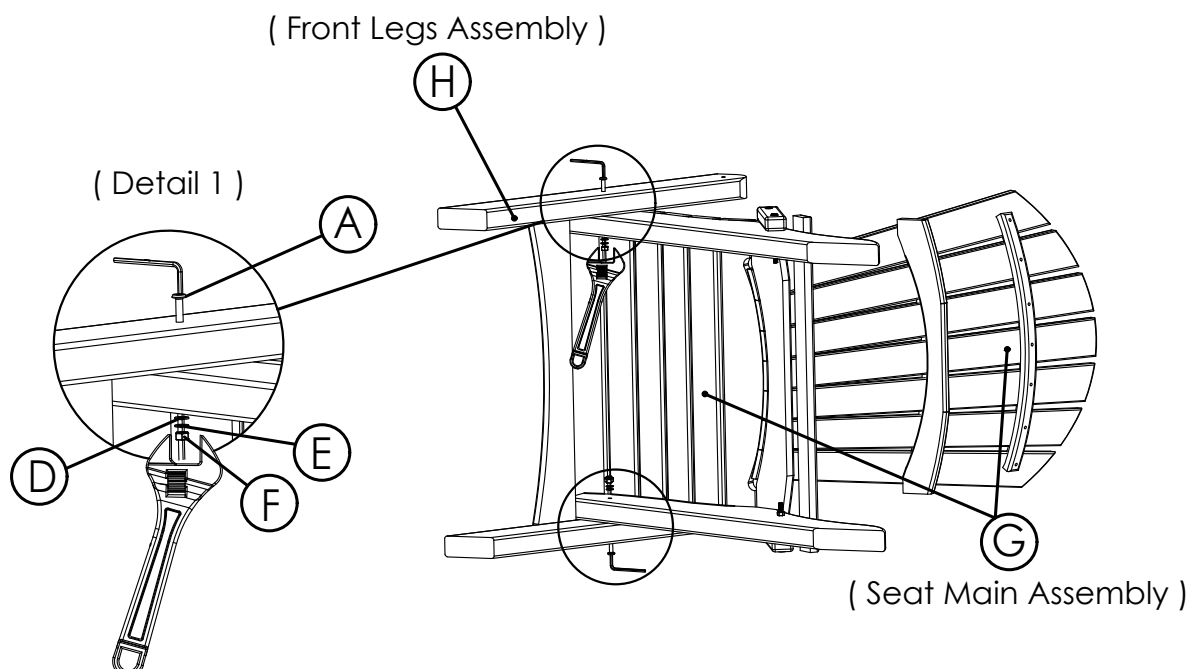


Figure 2

2 - Attach part (I), Right Arm Assembly, and part (J), Left Arm Assembly to assembly from Figure 1 , as shown in Figure 2 see detail 2 using (2) of joint connector bolts (B) , (2) Lock washers (D) , (2) washers (E) and (2) hex nuts (F) , tighten bolts using an allen wrench and also an adjustable wrench.

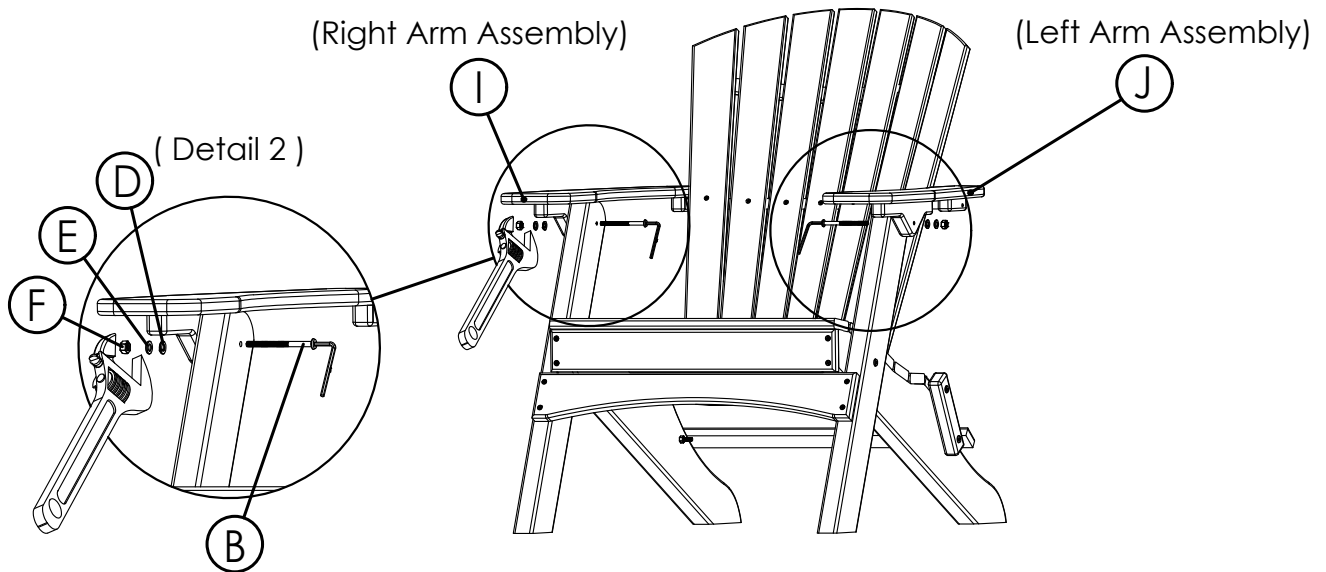
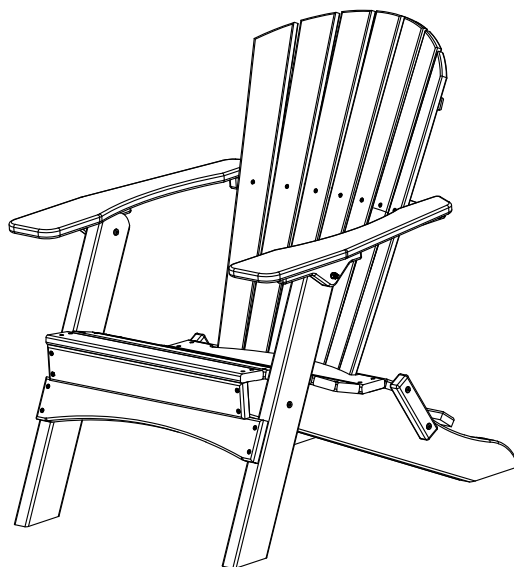
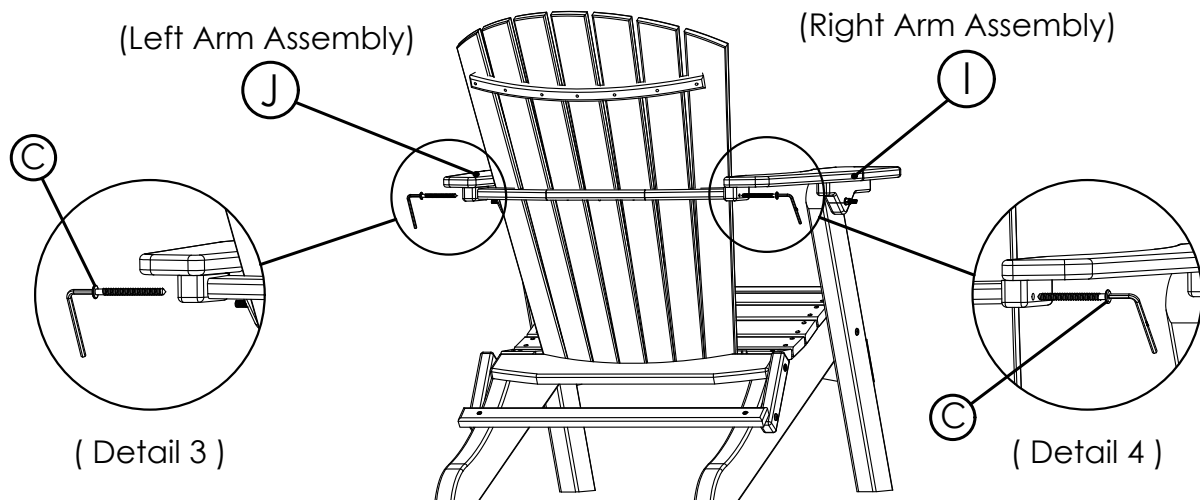


Figure 3

3 - To complete the assembly of part (I), Right Arm Assembly, and part (J), Left Arm Assembly , as shown in Figure 3, see detail 3 and detail 4 using (2) of screw (C) and tighten screws using an allen wrench.



CARE AND MAINTENANCE

To clean your product, use mild soap and water. For heavy soil build-ups use any non-abrasive household cleaners or ask your Sales Representative about Sister Bay Furniture Cleaner.

Please contact our Customer Service Department for assembly assistance, questions or replacement parts at 1-866-947-7632 or email info@sisterbayfurniture.com. Our Customer Service Department is available Monday - Friday from 8:30 a.m. to 4:30 p.m. EST