

Hardware and Parts

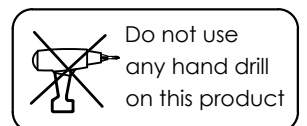
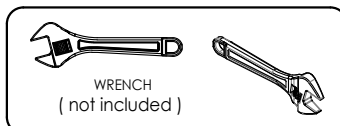
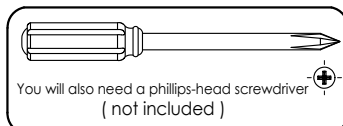
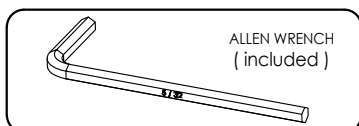
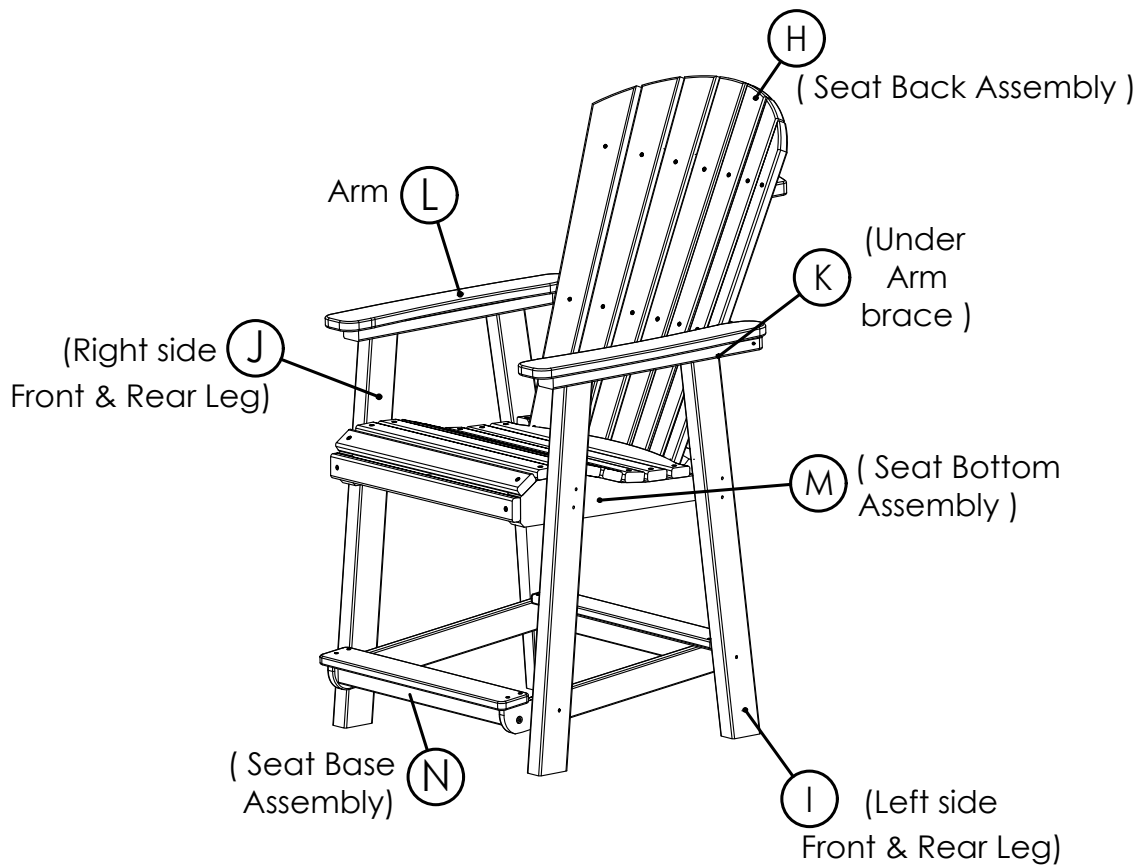
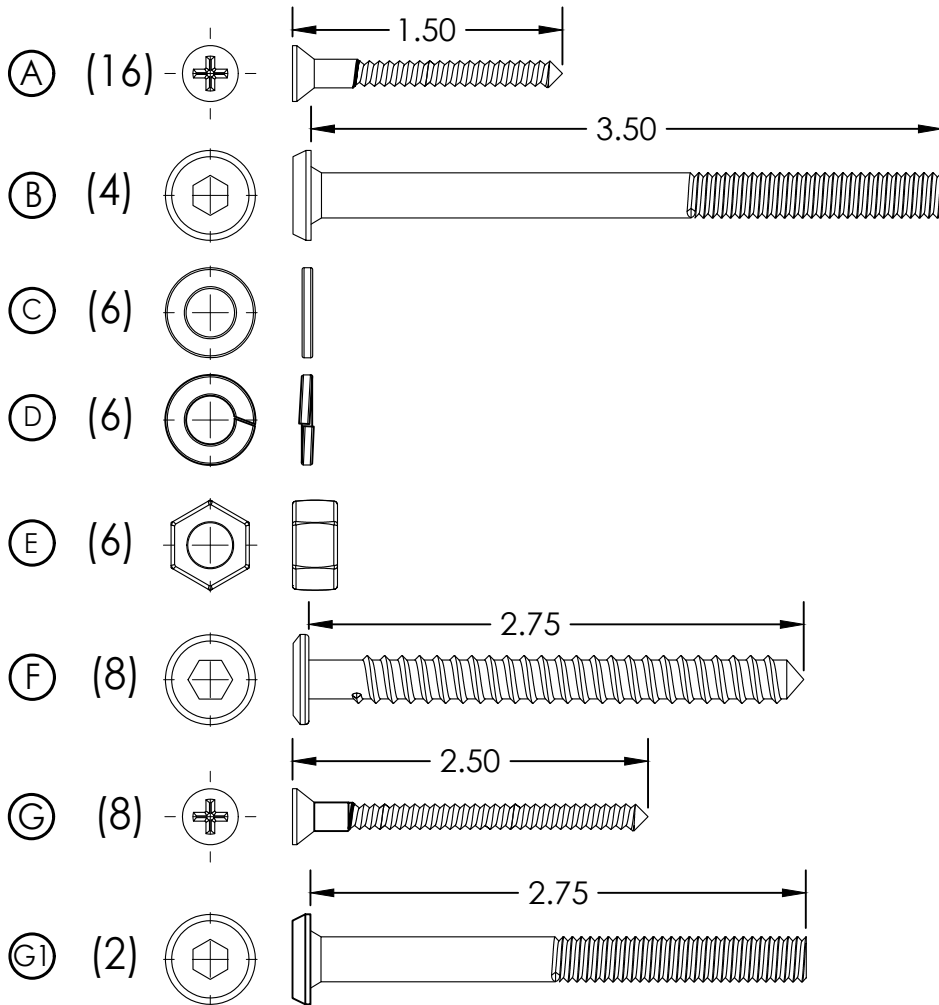


Figure 1

1a - Attach part (K) under arm brace to part (J) front right side (FR) & Rear right side (RR) legs using 4 of screws (G) 2 for each leg. Tighten screws using a phillips-head screwdriver. Be sure to lay the legs and arm brace on a flat clean surface to assemble. Line up the front right leg (FR) with the front of the arm brace (2 screws), line up the rear right side leg (RR) with the back of the arm brace (1 screw). Make sure the identification marks FR & RR are facing upward. Follow the same instructions for left side legs (I), the identification marks FL & RL should be facing down. Leg and arm brace assembly should form an "A" frame if done correctly.

1b - To Attach part (J), Right leg Assembly to part (L) arm, lay arm face down on a flat clean surface, place (J) right side leg assembly over the arm using (6) of screw (A) tighten screws using a phillips-head screwdriver. Follow the same instructions for left side legs (I).

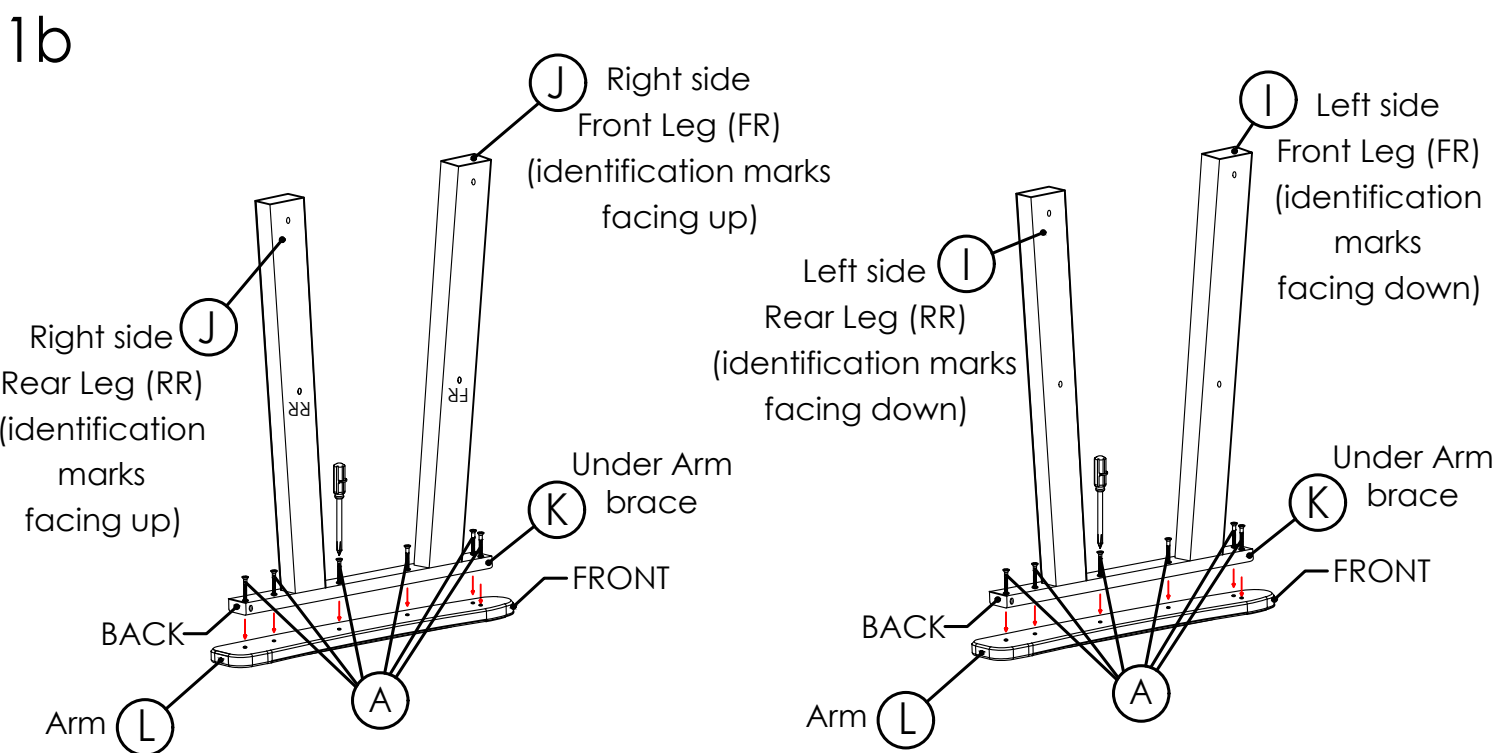
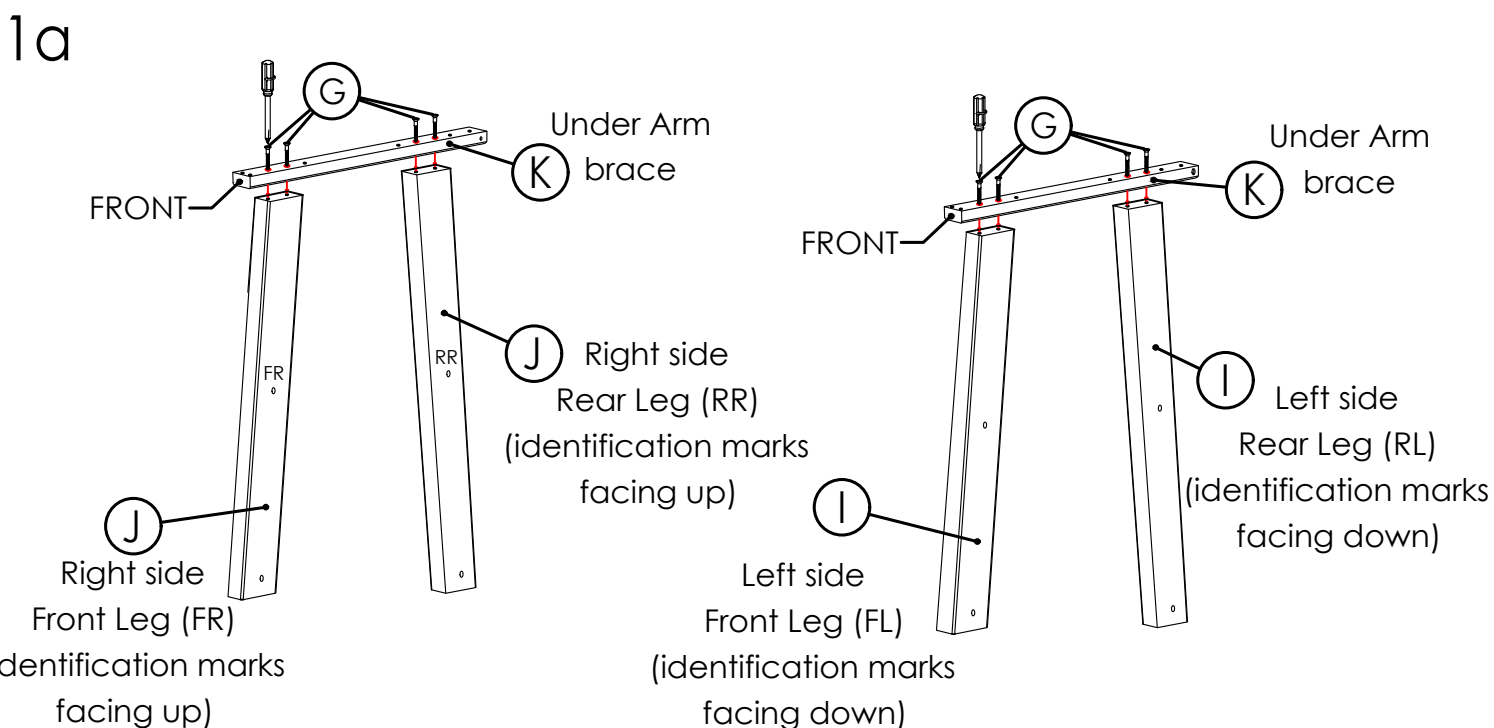


Figure 2

2a - Attach part (H), Seat Back Assembly, to part (M), seat bottom assembly you must align the lower front edge of Yoke to hide the front edge of groove, see detail 1.

2b - Attach part (H), seat back assembly, to part (M), seat bottom assembly, as shown in Figure 1 see detail 2 using (4) of screws (A), 2 on each side, tighten screws using a phillips-head screwdriver.

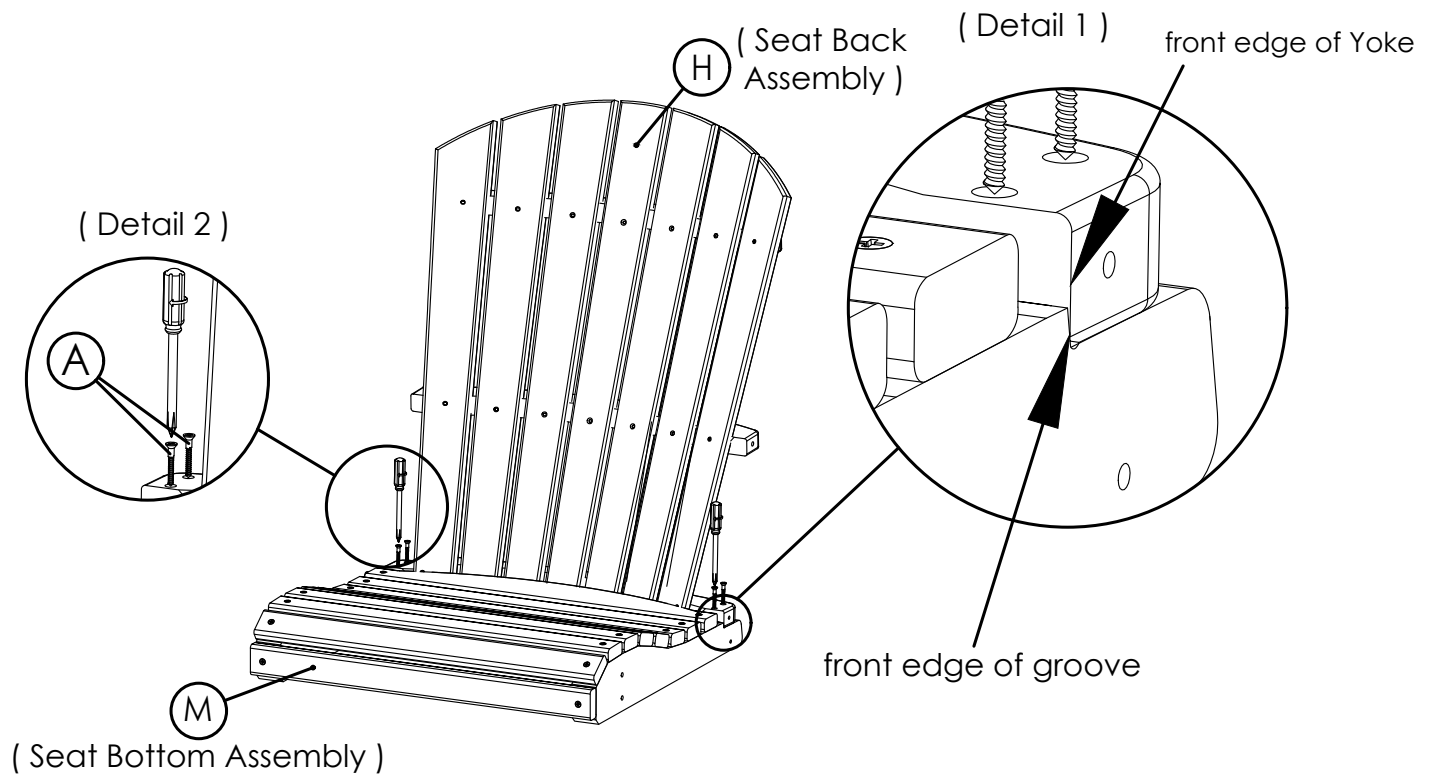


Figure 3

3a - Attach part (J), Right side front and rear leg assembly, to assembly from Figure 2 as shown in Figure 3, identification marks (FR) and (RR) facing inside towards the seat see detail 3, using (2) of joint connector bolts (B), (2) washers (C), (2) lock washers (D), (2) hex nuts (E), see detail 4 tighten bolts using an allen wrench and also an adjustable wrench follow the same instructions for left side front and rear leg assembly.

3b - Attach part (I), Left side front and rear leg and part (J), right arm leg assembly, to seat back assembly (H), as shown in Figure 3, see detail 5, using (3) of lag screws (F), tighten screws using and allen wrench. Follow the same instructions right side front and rear leg assembly.

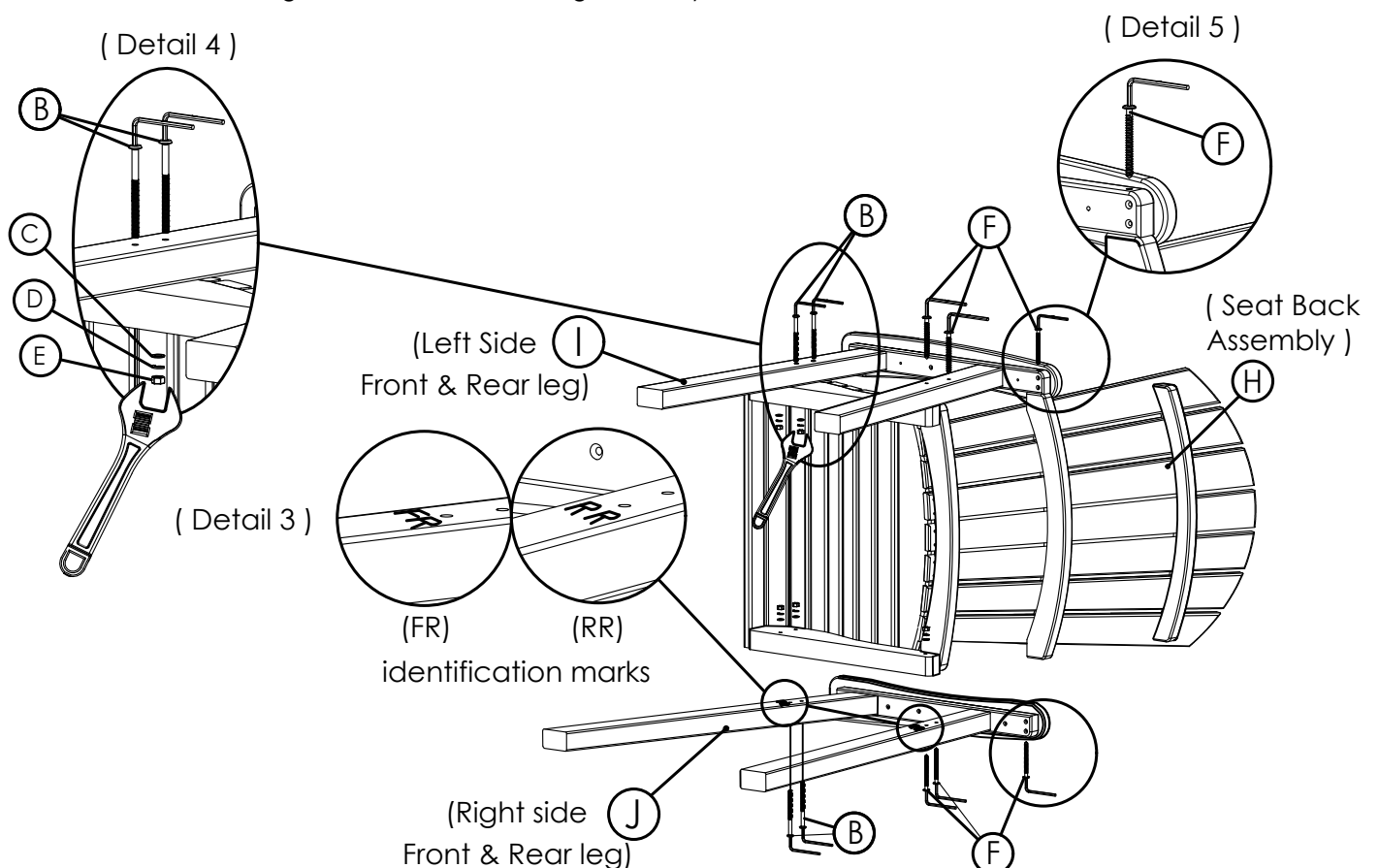
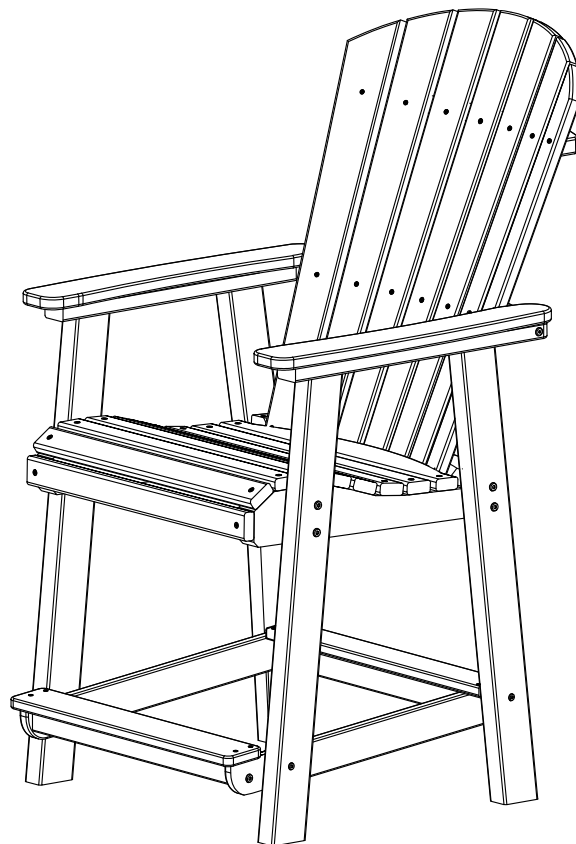
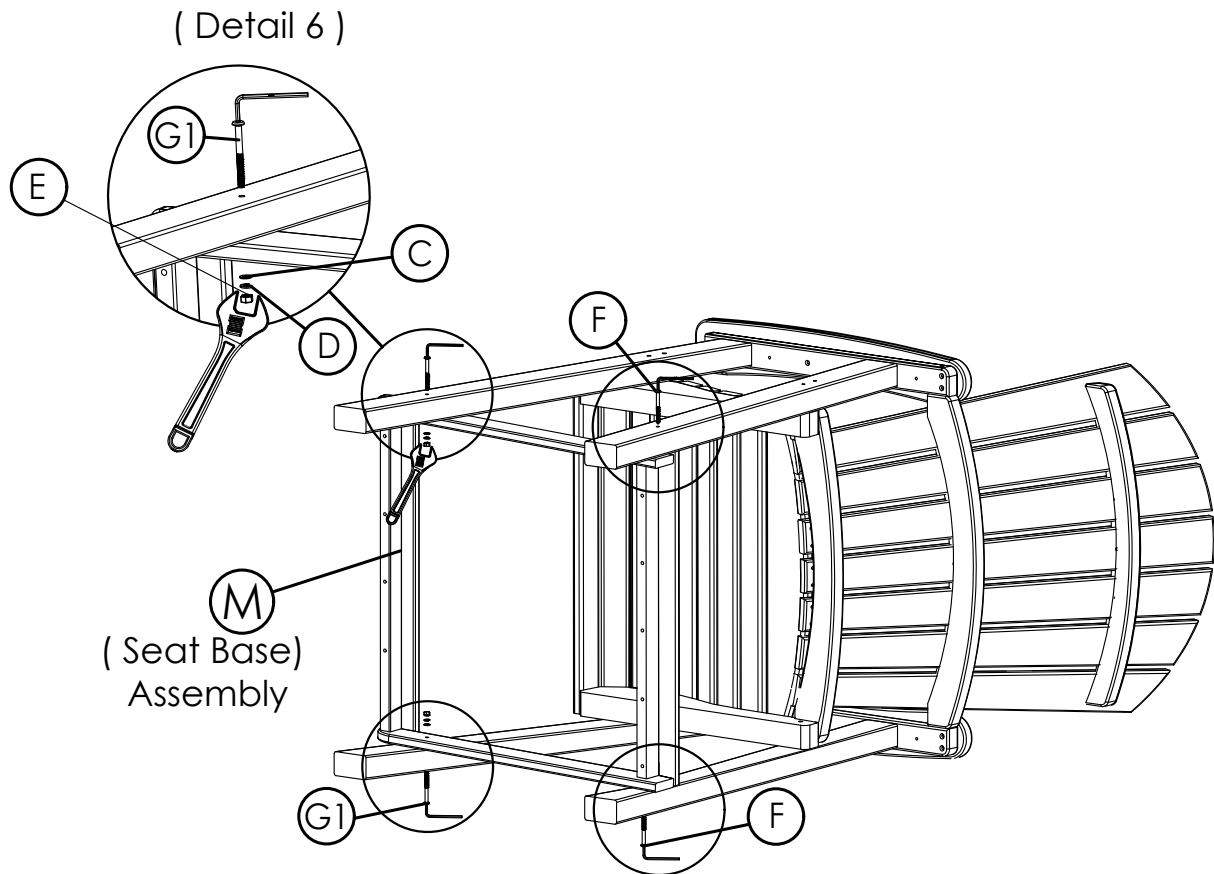


Figure 4

4 - Attach part (M), seat base assembly, to assembly from Figure 2 as shown in Figure 4 see detail 6, using (4) of joint connector bolts (G1) , (4) washers (C) , (4) Lock washers (D) and (4) hex nuts (E) , tighten bolts using an allen wrench and also an adjustable wrench.



CARE AND MAINTENANCE

To clean your product, use mild soap and water. For heavy soil build-ups use any non-abrasive household cleaners or ask your Sales Representative about Sister Bay Furniture Cleaner.

Please contact our Customer Service Department for assembly assistance, questions or replacement parts at 1-866-947-7632 or email info@sisterbayfurniture.com. Our Customer Service Department is available Monday - Friday from 8:30 a.m. to 4:30 p.m. EST