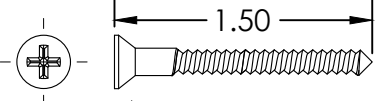
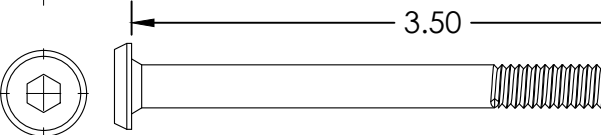
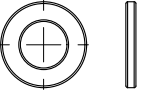

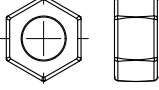
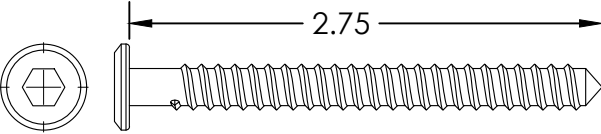
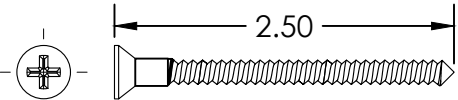
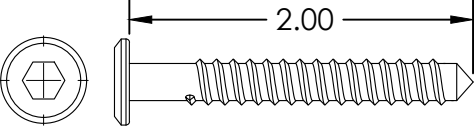
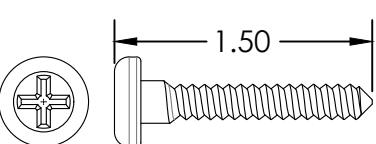

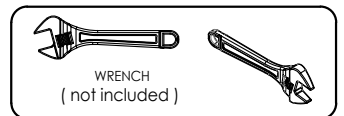
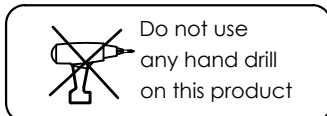
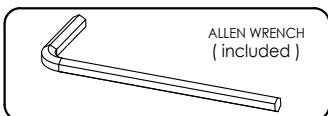
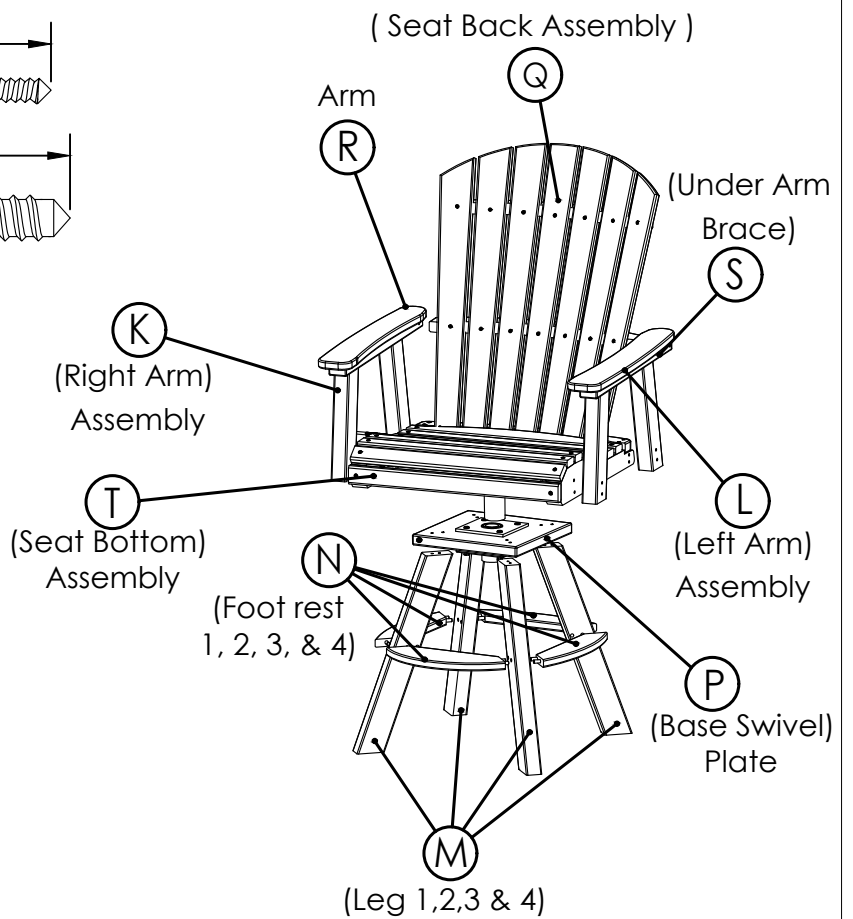


### Hardware and Parts

- (A) (16) 
- (B) (4) 
- (C) (4) 
- (D) (4) 
- (E) (4) 
- (F) (6) 
- (G) (8) 
- (H) (8) 
- (I) (8) 
- (J) (1) 

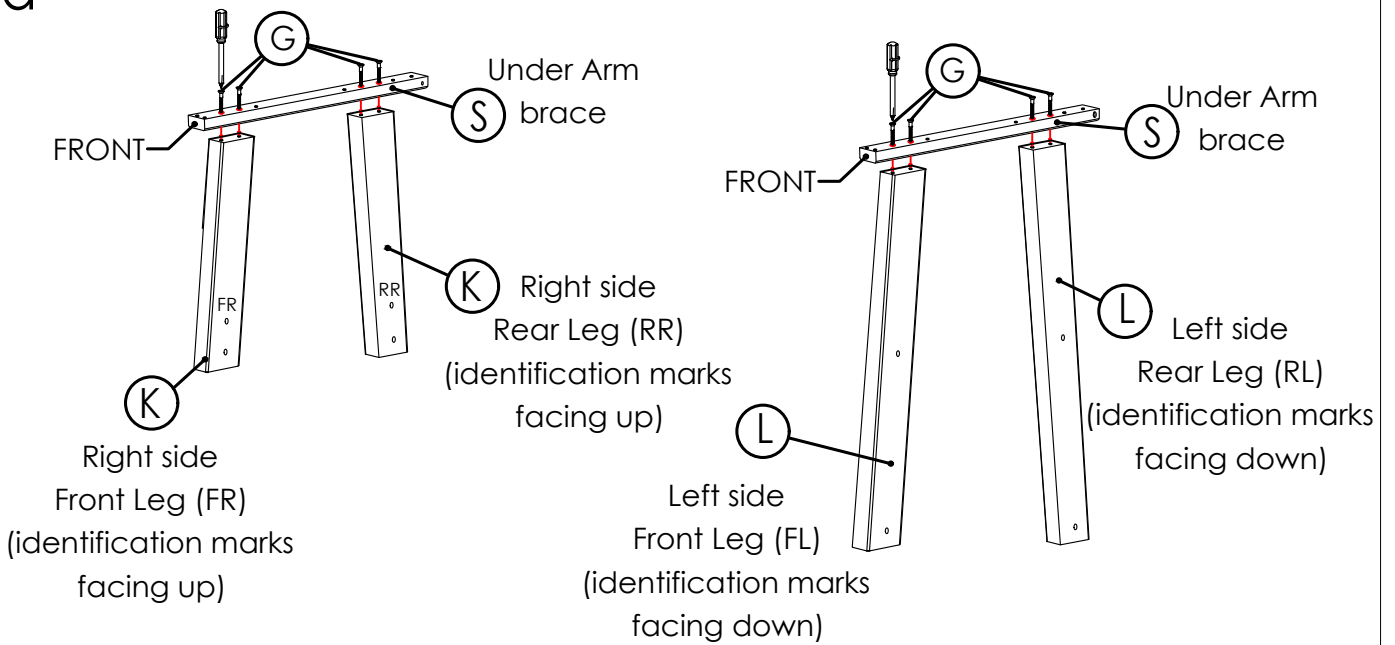


# Figure 1

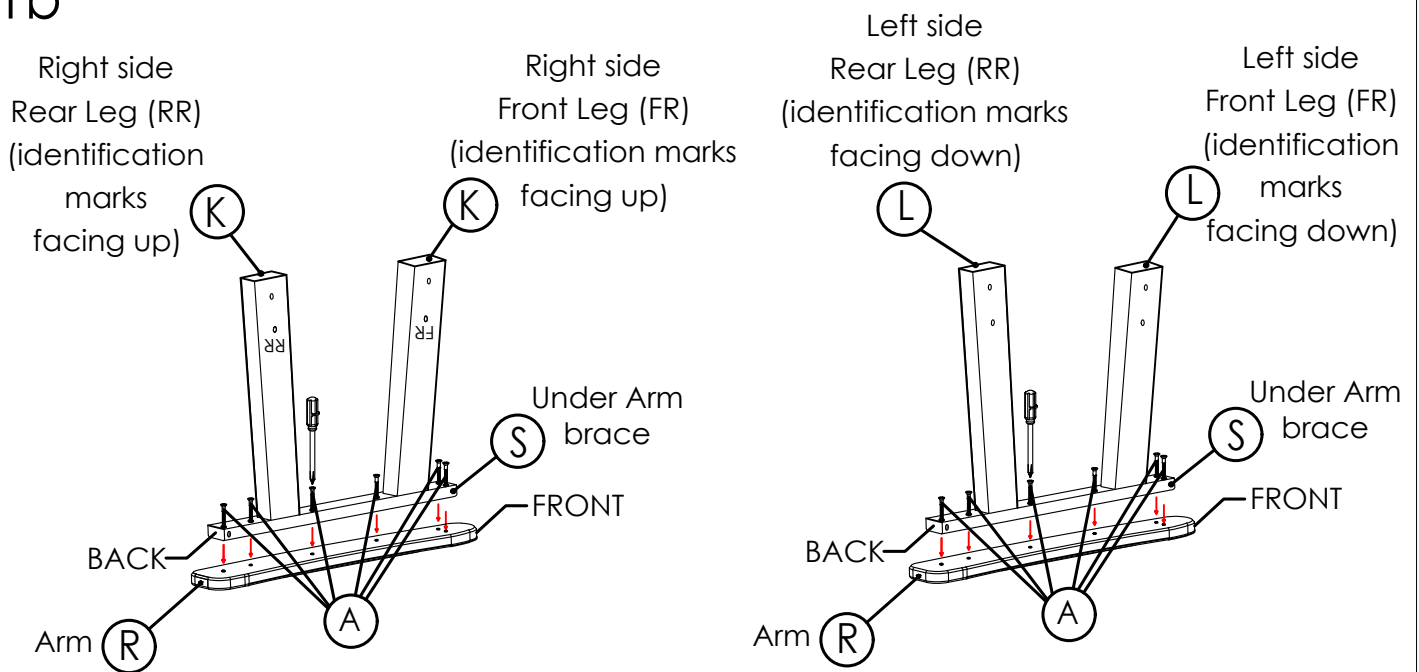
1a - Attach part ( S ) under arm brace to part ( K ) front right side ( FR ) & Rear right side ( RR ) legs using 4 of screws ( G ) 2 for each leg. Tighten screws using a phillips-head screwdriver. Be sure to lay the legs and arm brace on a flat clean surface to assemble. Line up the front right leg ( FR ) with the front of the arm brace ( 2 screws ), line up the rear right side leg ( RR ) with the back of the arm brace ( 1 screw). Make sure the identification marks FR & RR are facing upward. Follow the same instructions for left side legs ( L ), the identification marks FL & RL should be facing down. Leg and arm brace assembly should form an "A" frame if done correctly.

1b - To Attach part ( K ), Right leg Assembly to part ( R ) arm, lay arm face down on a flat clean surface, place ( K ) right side leg assembly over the arm using ( 6 ) of screw ( A ) tighten screws using a phillips-head screwdriver. Follow the same instructions for left side legs ( L ).

1a



1b

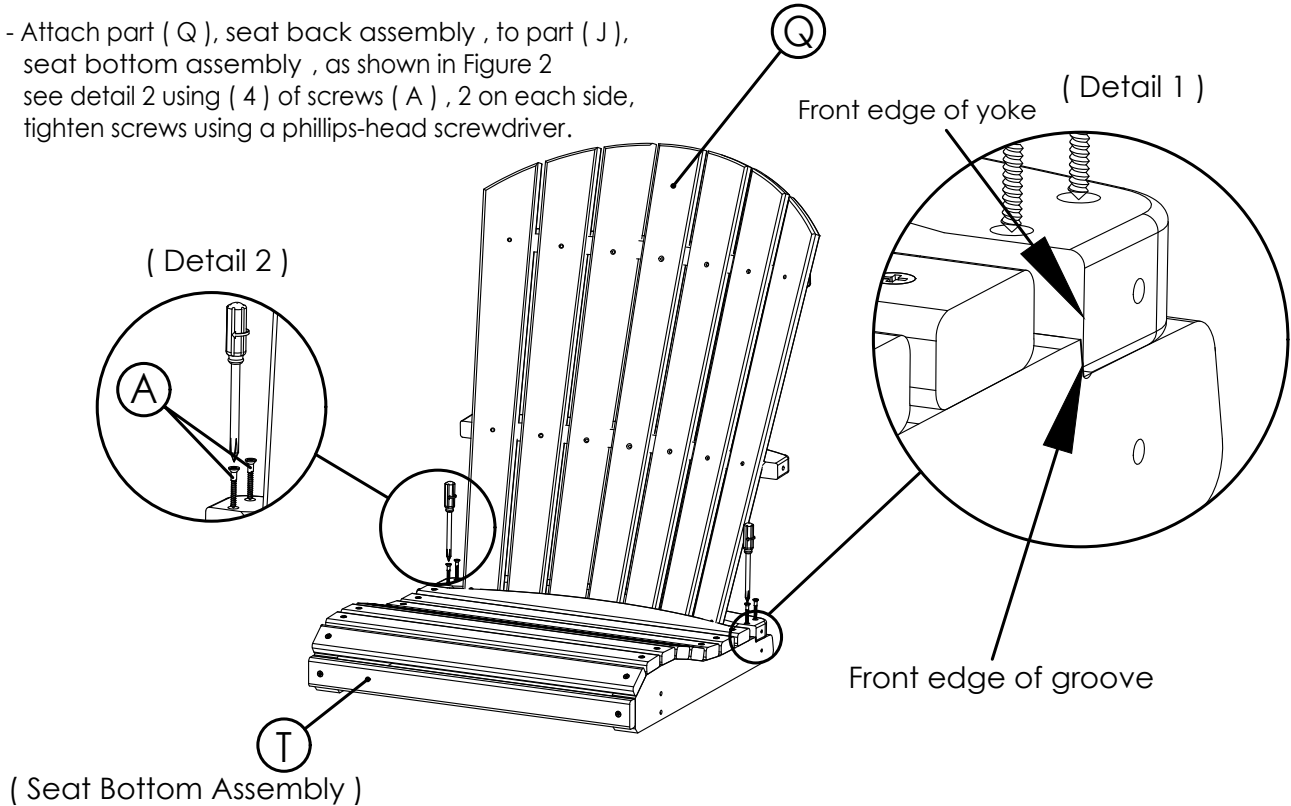


## Figure 2

2.a - To Attach part ( Q ), seat back assembly , to part ( J ), seat bottom assembly as shown, you must align the lower front edge of yoke to the front edge of groove, see detail 1.

( Seat Back Assembly )

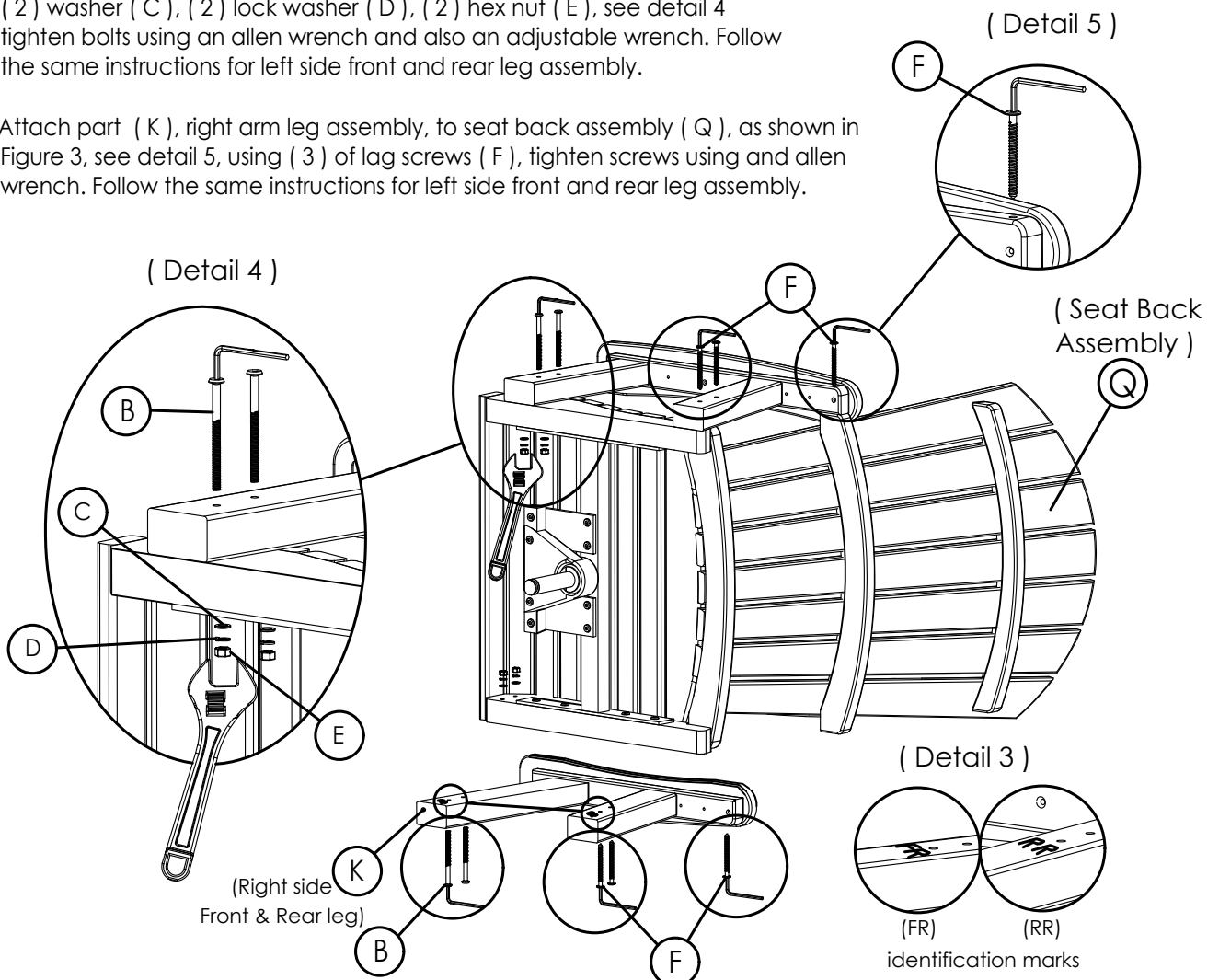
2.b - Attach part ( Q ), seat back assembly , to part ( J ), seat bottom assembly , as shown in Figure 2 see detail 2 using ( 4 ) of screws ( A ) , 2 on each side, tighten screws using a phillips-head screwdriver.



## Figure 3

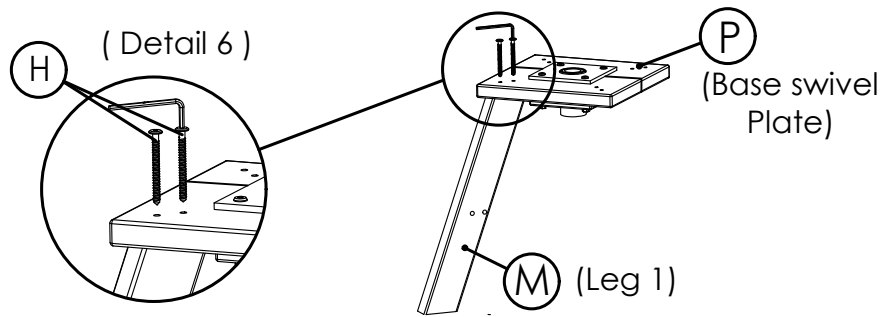
3.a - Attach part ( K ), right side front and rear leg assembly, to assembly from Figure 2 as shown in Figure 3, make sure identification marks ( FR ) and ( RR ) are facing inside towards the seat see detail 3, using ( 2 ) of joint connector bolts ( B ), ( 2 ) washer ( C ), ( 2 ) lock washer ( D ), ( 2 ) hex nut ( E ), see detail 4 tighten bolts using an allen wrench and also an adjustable wrench. Follow the same instructions for left side front and rear leg assembly.

3.b - Attach part ( K ), right arm leg assembly, to seat back assembly ( Q ), as shown in Figure 3, see detail 5, using ( 3 ) of lag screws ( F ), tighten screws using and allen wrench. Follow the same instructions for left side front and rear leg assembly.



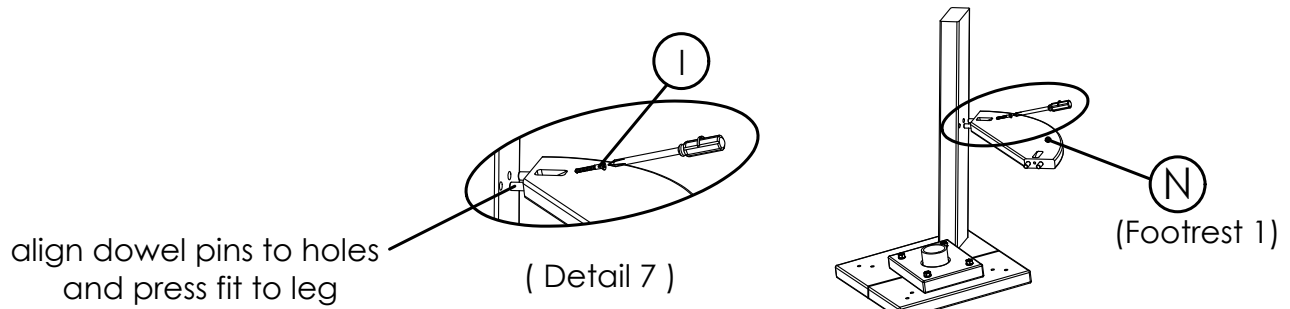
## Figure 4

4 - Attach part ( M ), Leg 1, to part ( P ), base swivel plate, as shown in Figure 4, see detail 6, using ( 2 ) of lag screws ( H ), tighten screws using an allen wrench .



## Figure 5

5 - Attach part ( N ), Foot rest 1, to assembly from figure 4 as shown in Figure 5, see detail 7, using ( 1 ) of screws ( I ), tighten screw using a phillips-head screwdriver.

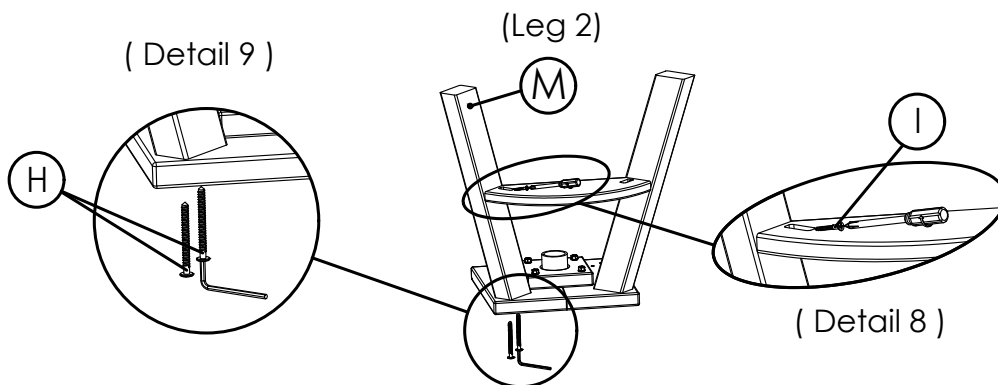


## Figure 6

6 - Attach part ( M ), Leg 2, to assembly as shown in Figure 6, see detail 8 and detail 9

(detail 8) - using ( 1 ) of screws ( I ), tighten screw using a phillips-head screwdriver.

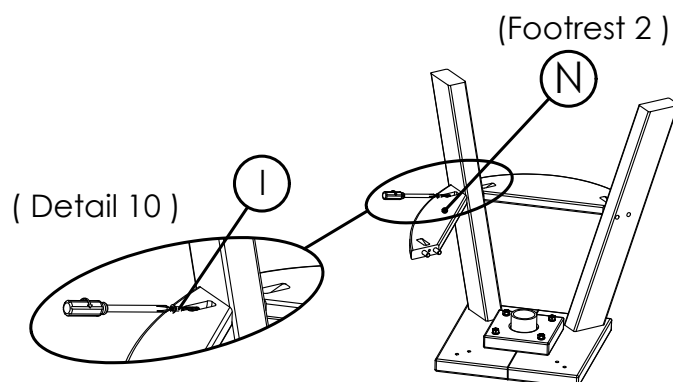
(detail 9) - using ( 2 ) of lag screws ( H ), tighten screws using an allen wrench.



## Figure 7

7 - Attach part ( N ), Foot rest 2, to assembly from figure 6 as shown in Figure 7, see detail 10 .

(detail 10) - using ( 1 ) of screws ( I ), tighten screw using a phillips-head screwdriver.

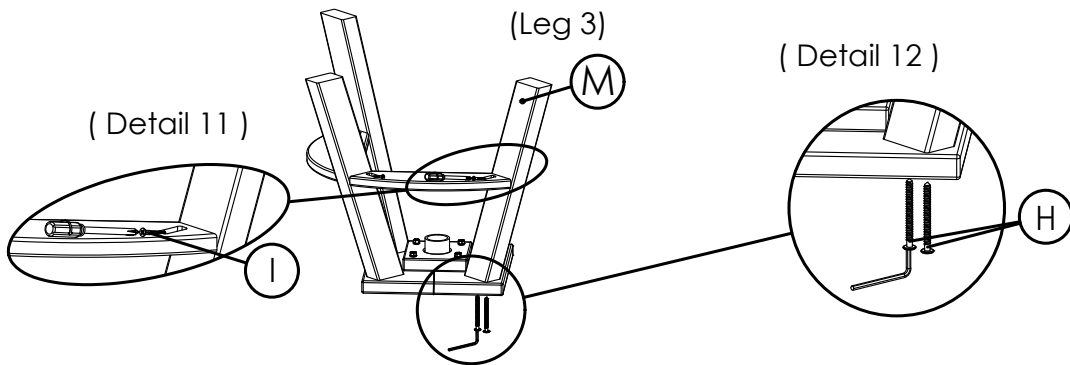


## Figure 8

8 - Attach part ( M ), leg 3, to assembly from figure 7 as shown in Figure 8, see detail 11 and detail 12.

(detail 11) - using ( 1 ) of screws ( I ), tighten screw using a phillips-head screwdriver.

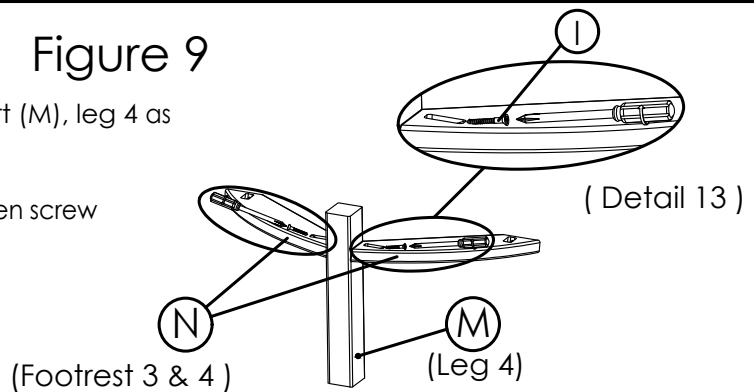
(detail 12) - using ( 2 ) of lag screws ( H ), tighten screws using an allen wrench.



## Figure 9

9 - Attach parts ( N ), foot rest 3 & 4, to part ( M ), leg 4 as shown in Figure 9, see detail 13.

(detail 13) - using ( 2 ) of screws ( I ), tighten screw using a phillips-head screwdriver.

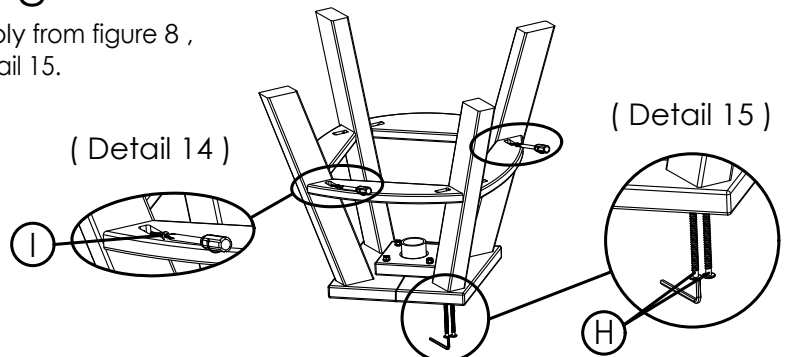


## Figure 10

10 - Attach assembly from figure 10, to assembly from figure 8, as shown in Figure 10, see detail 14 and detail 15.

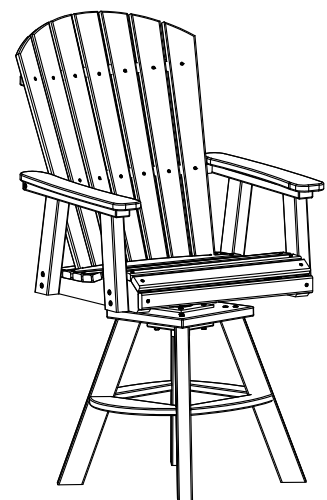
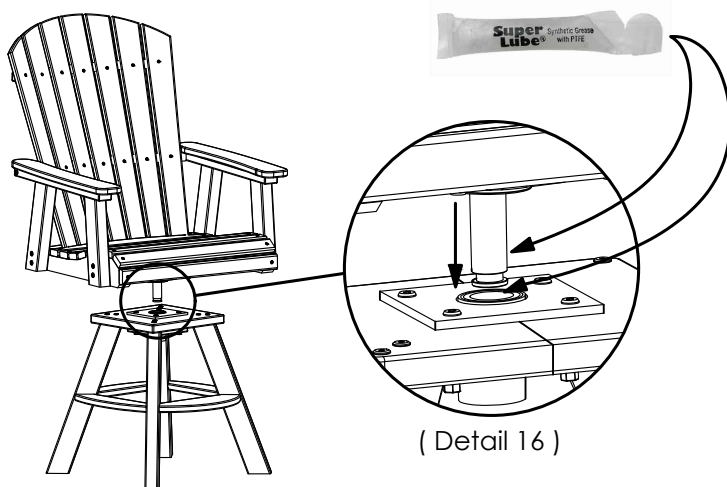
(detail 14) - using ( 2 ) of screws ( I ), tighten screw using a phillips-head screwdriver.

(detail 15) - using ( 2 ) of lag screws ( H ), tighten screws using an allen wrench.



## Figure 11

11 - Attach assembly from figure 3, to assembly from figure 10, as shown in Figure 11, see detail 16. Using grease tube (I) provided, lubricate both the metal stem and the inside of the nylon sleeve and then locate on center of base and press down.



### CARE AND MAINTENANCE

To clean Your product, use mild soap and water. For heavy soil build-ups use any Non-Abrasive household cleaners.

Please contact one of our Product Specialists for assembly assistance or questions at 1-866-947-7632 or email [info@malibu-outdoor.com](mailto:info@malibu-outdoor.com). Specialists are available weekdays 8:30 a.m. to 4:30 p.m. EST