

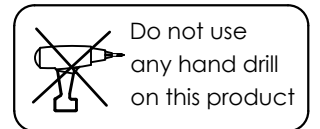
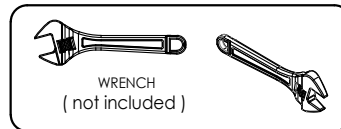
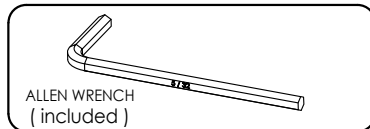
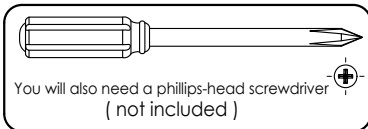
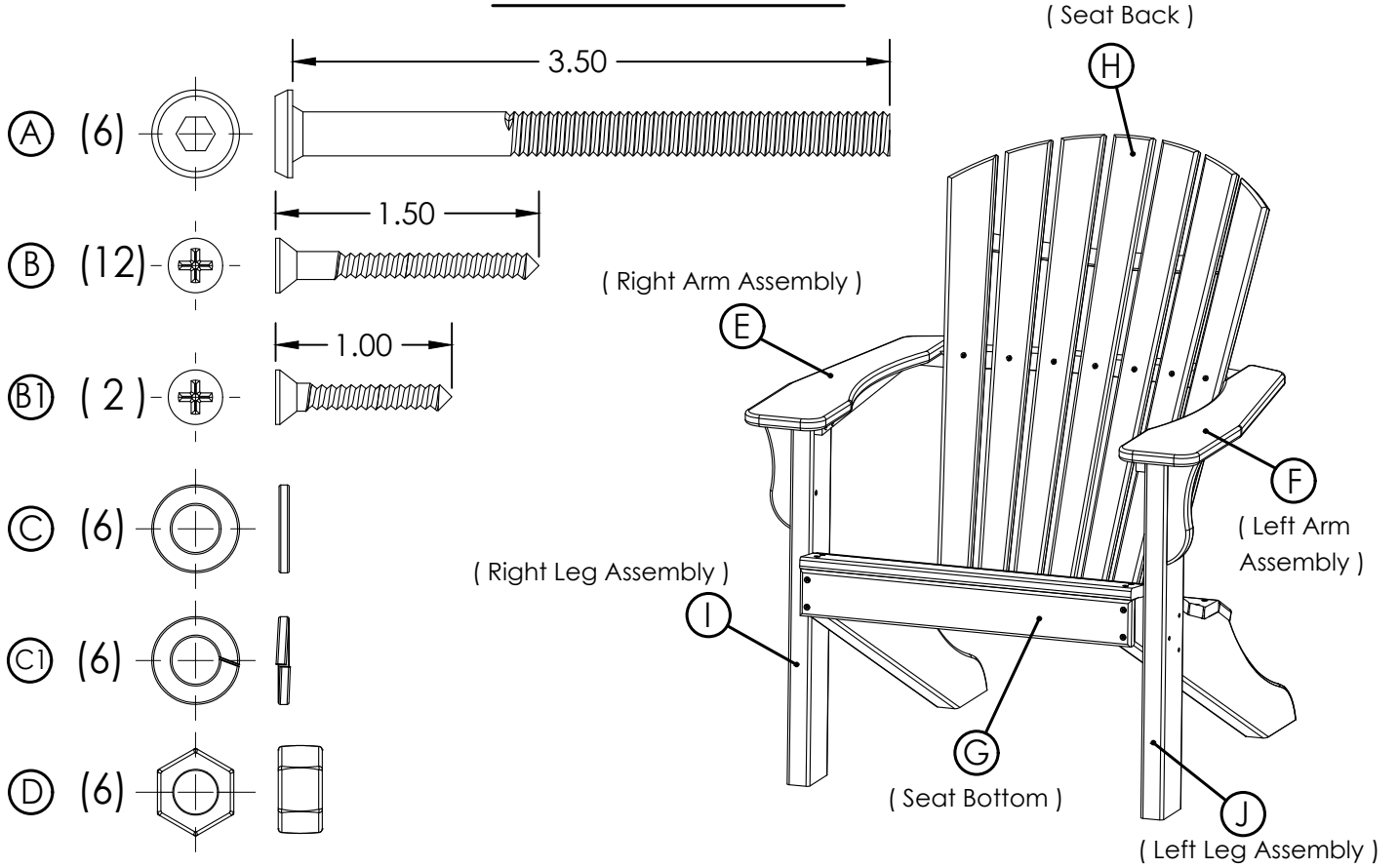
SISTER BAY

FURNITURE CO.

Assembly Instructions

Item No: MHYA-A-R
Hyannis Adirondack Chair

Hardware and Parts



Assembly Instructions

Figure 1

1 - Attach part (J), Left Leg Assembly, to part (F) Left Arm Assembly as shown in figure 1. First place arm on clean flat surface, align the holes on left leg assembly with the holes on the under arm brace using (2) of screws (B) tighten using a phillips-head screwdriver. Second using (1) of screw (B1) insert into (Decorative piece) screw into the arm using a phillips-head screwdriver as shown in figure 1. Follow the same instructions for Right Leg and arm assembly.

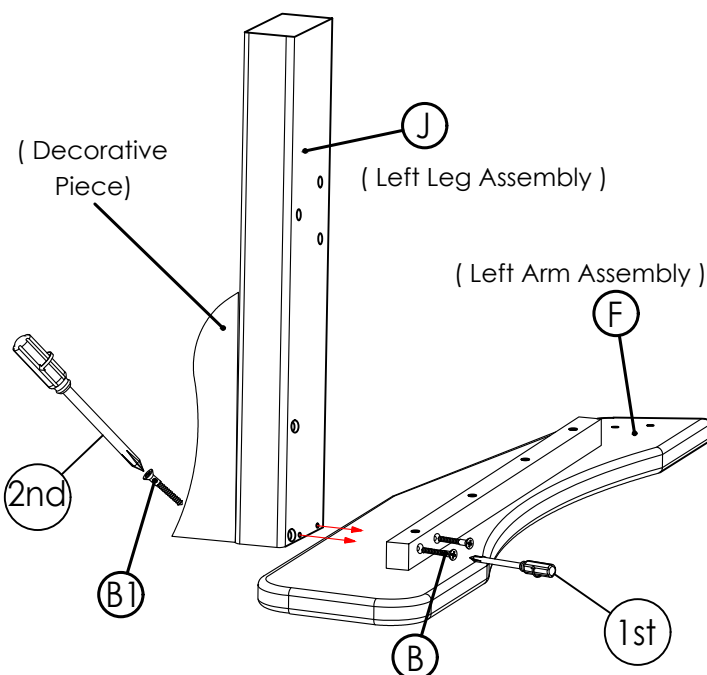


Figure 2

2 - Attach part (F) (J), Left Arm & Leg Assembly, to Assembly from figure 2 as shown in figure 2. Align and insert 3 of bolt (A) into holes and insert washers (C), (C1) and hex nuts (D) from the other side, see detail 1 tighten bolts using an allen wrench and also an adjustable wrench. Follow the same instruction for right arm & leg assembly.

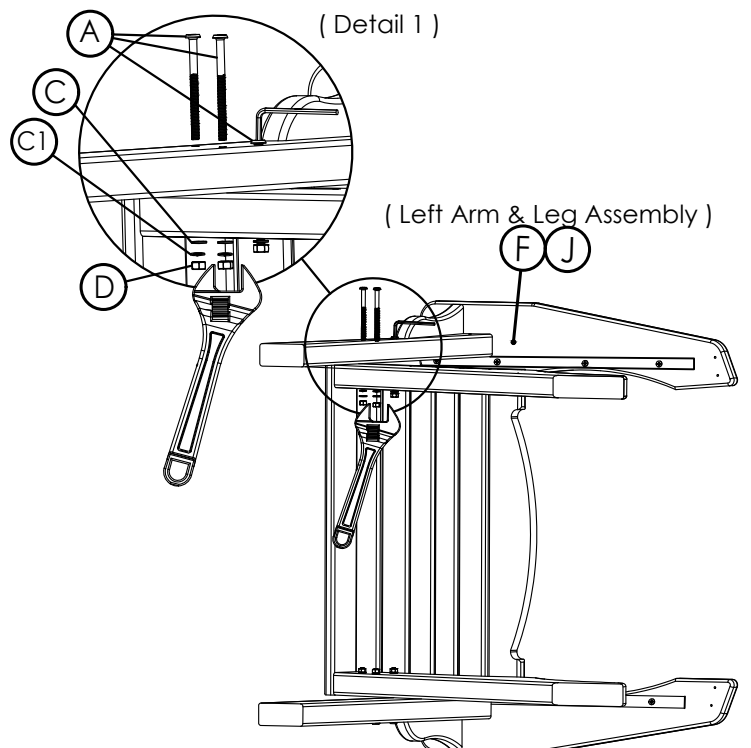


Figure 3

3 - Attach the assembly from Figure 2 and part (H) , Seat Back, as shown in Figure 3 by pushing the lower end of the Seat Back forward against seat slats using (4) of screw (B) and tighten screws using a phillips-head screwdriver as shown in detail 2 and detail 3.

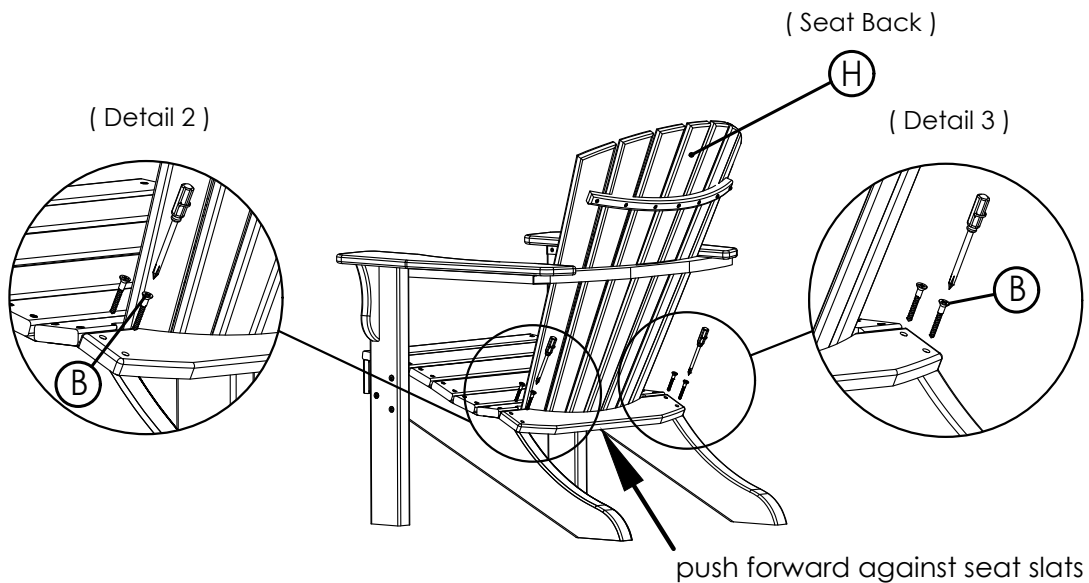
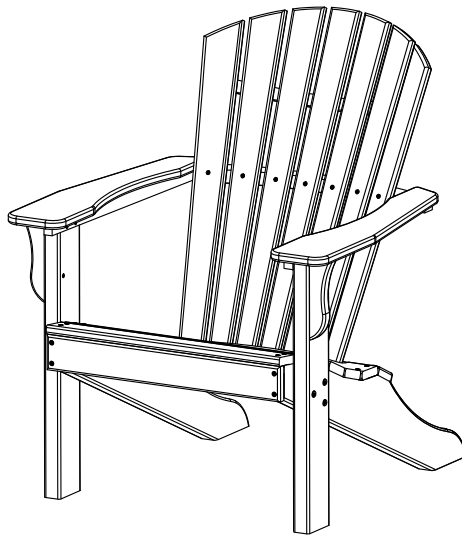
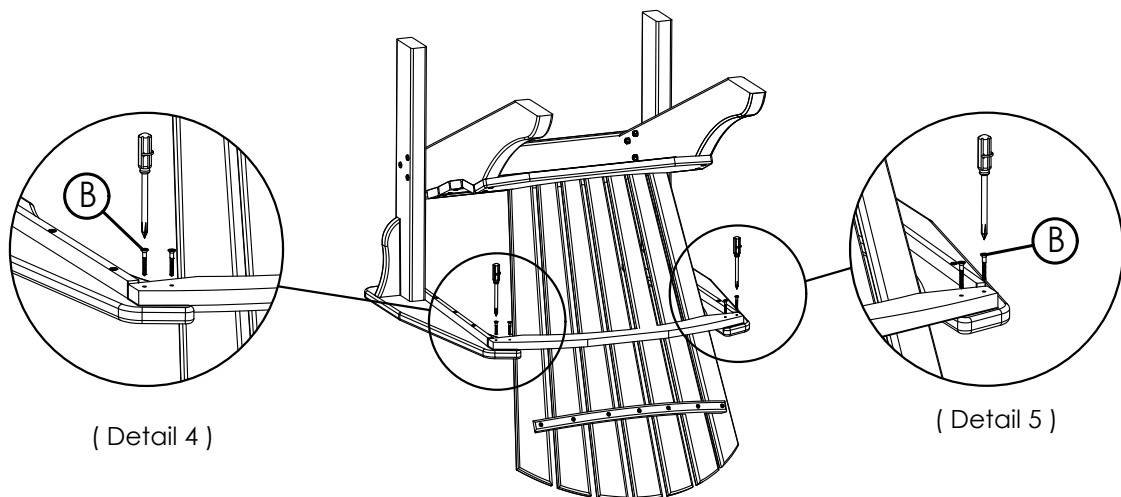


Figure 4

4 - To complete the assembly use (4) of screw (B) as shown in detail 4 and detail 5 in figure 4 and tighten screws using a phillips-head screw driver.



CARE AND MAINTENANCE

To clean your product, use mild soap and water. For heavy soil build-ups use any non-abrasive household cleaners or ask your Sales Representative about Sister Bay Furniture Cleaner.

Please contact our Customer Service Department for assembly assistance, questions or replacement parts at 1-866-947-7632 or email info@sisterbayfurniture.com. Our Customer Service Department is available Monday - Friday from 8:30 a.m. to 4:30 p.m. EST