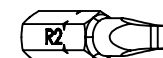
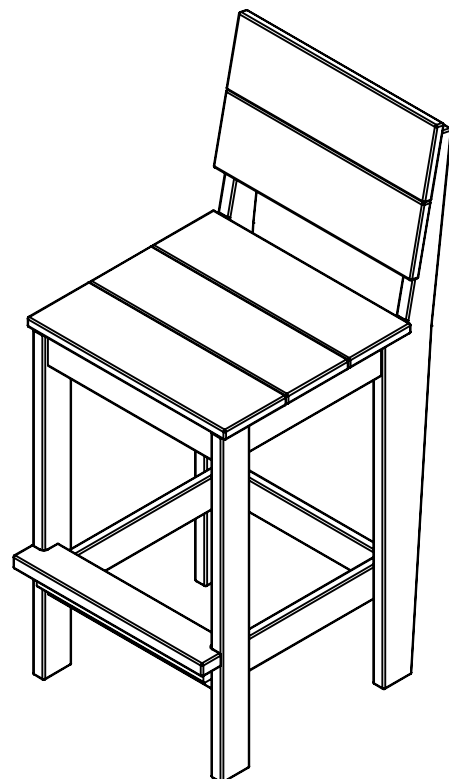


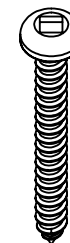
HARDWARE:



1x
R2 SQ Bit



Multi-Bit Screwdriver
(Not Included)

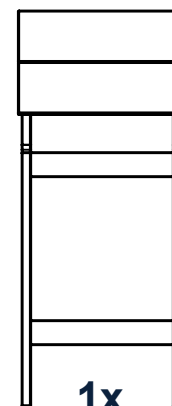


6x
0-5222
#8x1.5"

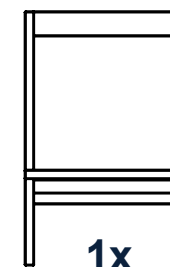


16x
0-5235
#8x1.5"

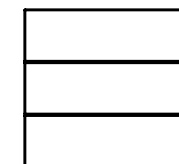
PARTS:



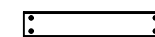
1x
12-2 Back



1x
12-2 Front



1x
12 Seat



2x
12 Rail Side Lower

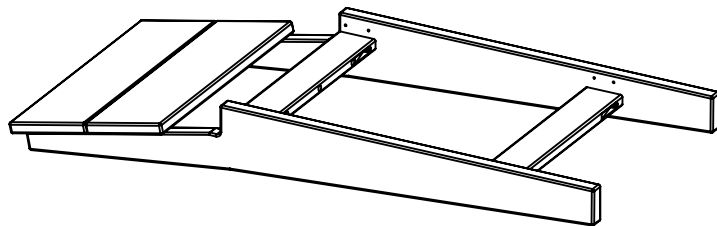
WARNING:

Using power tools may result in overtightening screws causing threads to strip.
We are not responsible for replacements on parts where power tools were used.



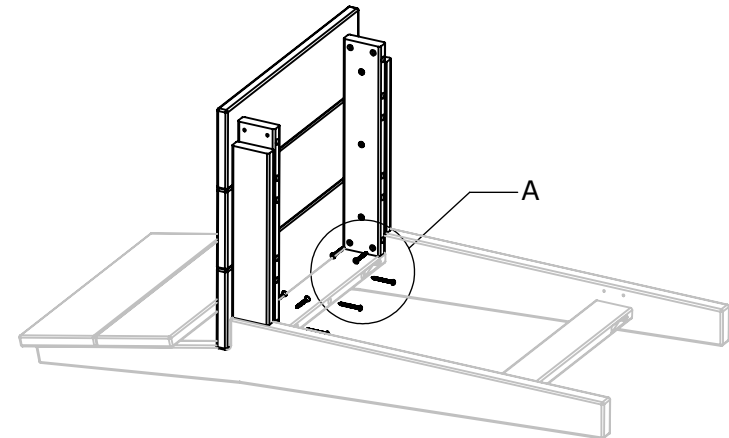
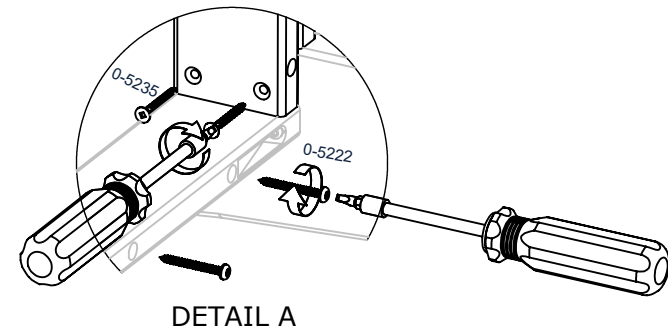
CARE & MAINTENANCE: To clean your product, use mild soap and water. For heavy soil build-ups use any non-abrasive household cleaners or ask your Sales Representative about Sister Bay Furniture Cleaner. Please contact our Customer Service Department for assembly assistance, questions or replacement parts at (800) 505-7926 or email support@sisterbayfurniture.com. Our Customer Service Department is available Monday-Friday 8:30 a.m. to 4:30 P.m. CST

1



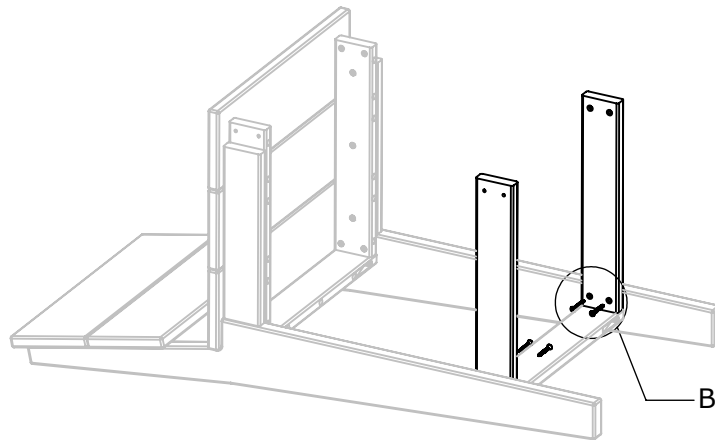
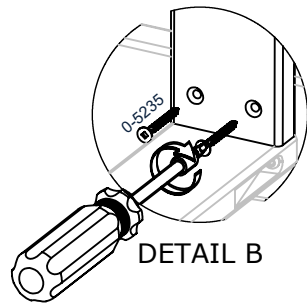
- A. Lay Back Assembly on cardboard or other flat surface to avoid scratches on surface.

2



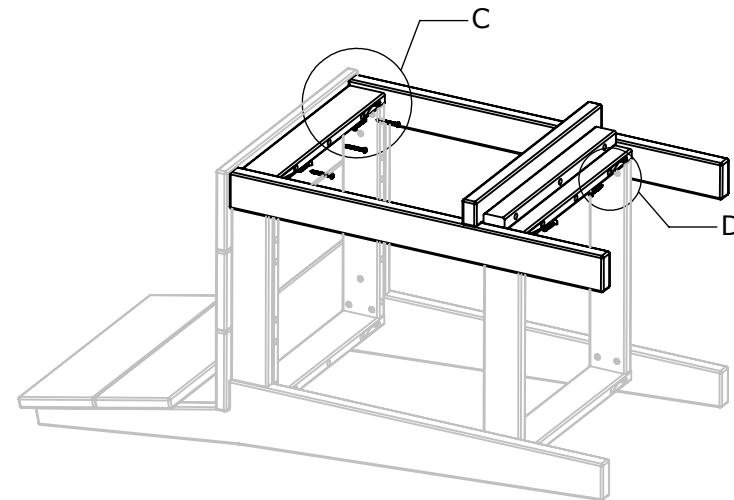
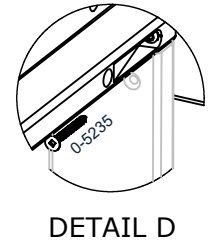
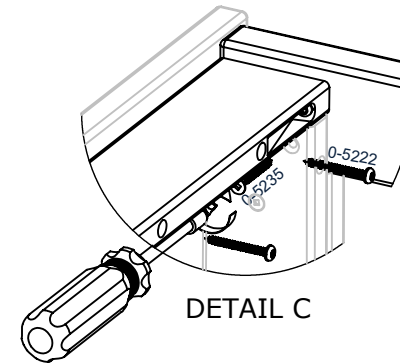
- A. Set seat assembly on back assembly
B. Fasten seat to leg with [2x] Bugle head screws on each side. (DETAIL A)
C. Fasten back seat slat with [3x] panhead screws.

3



- A. Set Rail Side Lower against back rail and along leg aligning holes.
- B. Fasten into place with [2x] 0-5235 Screws (DETAIL B).
- C. Repeat steps 3A-3B for the other Rail Side Lower.

4



- A. Set Front on Seat and Rail Side Lower, aligning holes
- B. Fasten into seat and rails with [4x] 0-5235 screws (DETAIL C & D).
- C. Repeat step 4B for the other side
- D. Fasten Front into Seat slat with [3x] 0-5222 screws (DETAIL C).

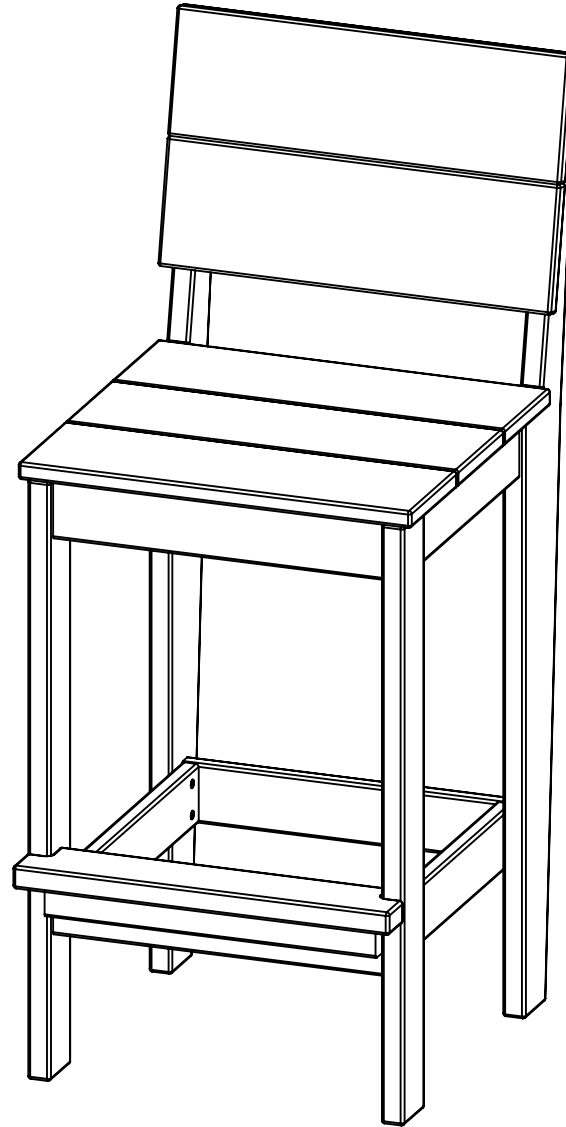
SISTER BAY

FURNITURE CO.

Hudson Collection

Counter Side Chair.

MODEL No: 12-2



Final Step:

Make nachos (Optional, but recommended.)
Sit on chair and enjoy a break!