

Hardware and Parts

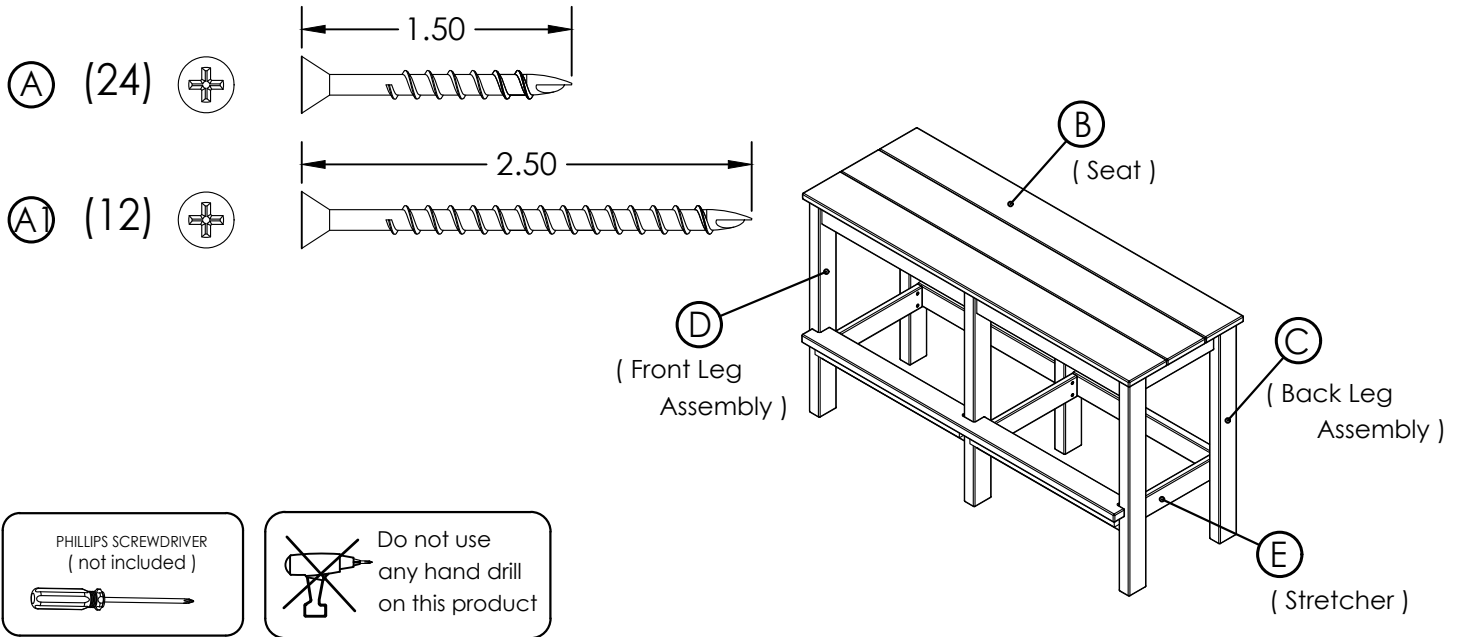
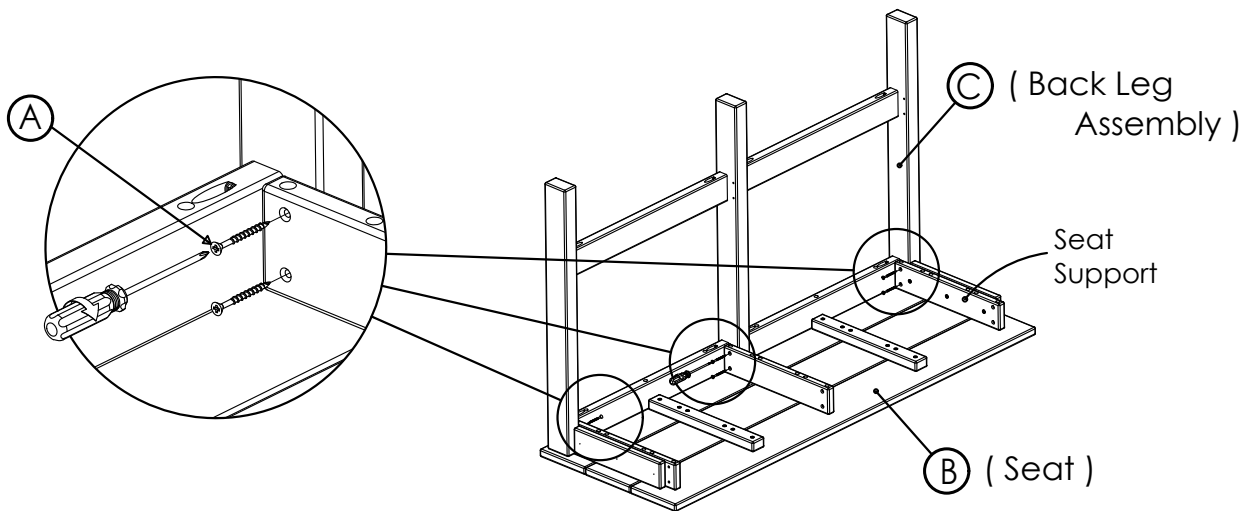


Figure 1

1- After laying out all components, position the Seat (B) upside-down and align the Back Leg Assembly (C) with the Seat Supports, as shown below. Insert a Screw (A) through a Seat Support into a predrilled hole and begin to tighten the screw with a screwdriver. Once the screw is a few turns tightened, move on to another screw until all 6 have been started. Leaving these loose will allow the Bench to adjust in the next procedure.



With the Seat Supports attached to the Back Leg, the Leg Supports can be attached. Insert a Screw (A1) into the hole on the bottom side of the Leg Support. Tighten them with a screwdriver. Once all 6 screws have been tightened, go back and finish tightening the screws from Step 1.

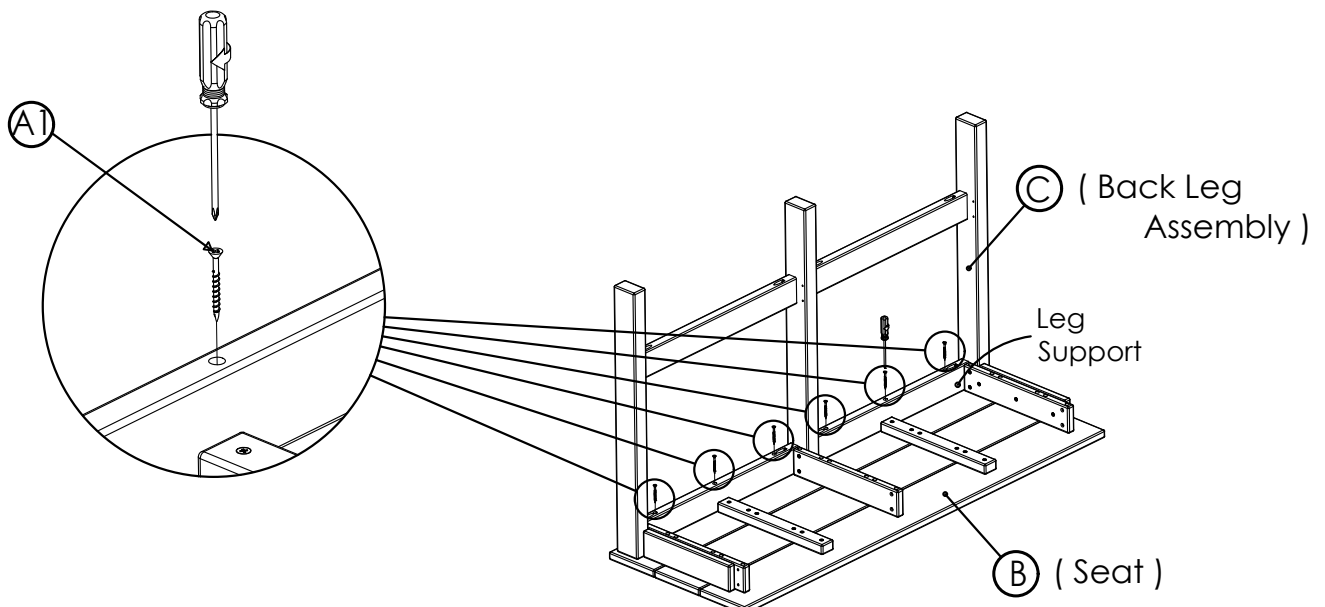


Figure 2

2 - Repeat Step 1 for the Front Leg Assembly (D). First by starting the Screws (A) in the Seat Support. Then, driving the screws (A1) to hold the Leg Support in place. And finally, tightening the screws in the Seat Support.

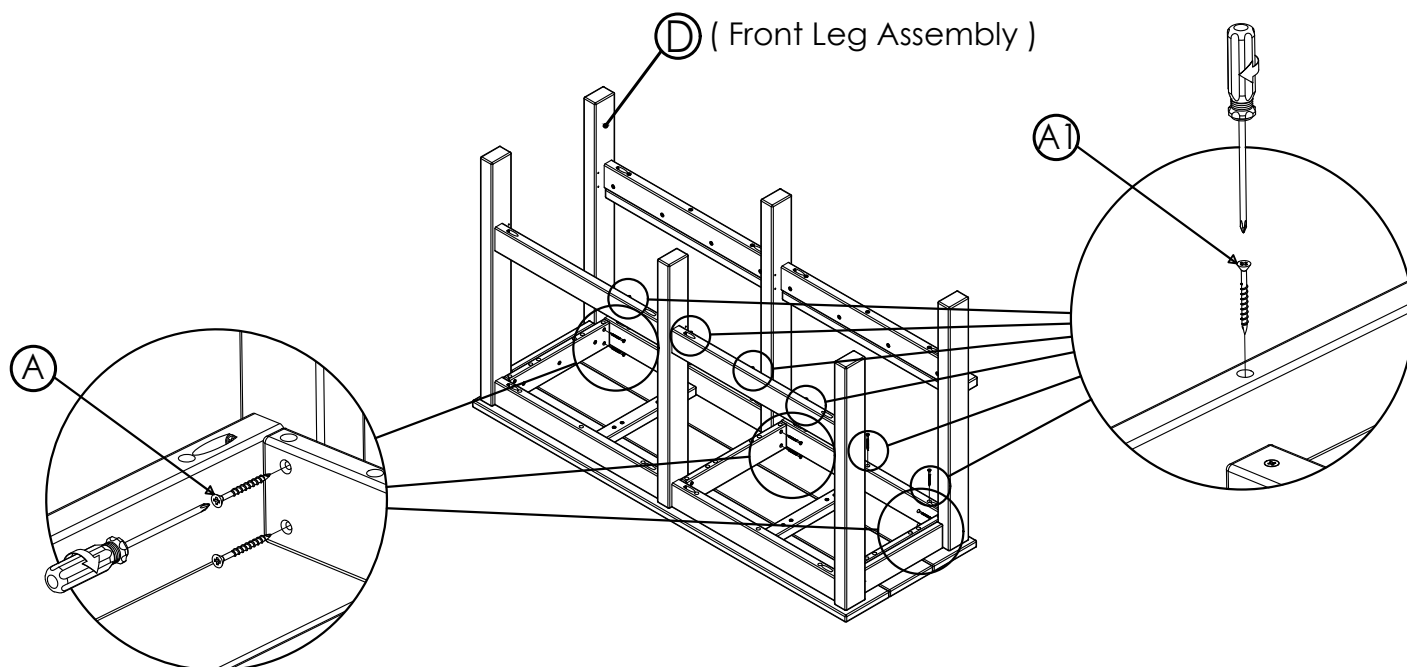
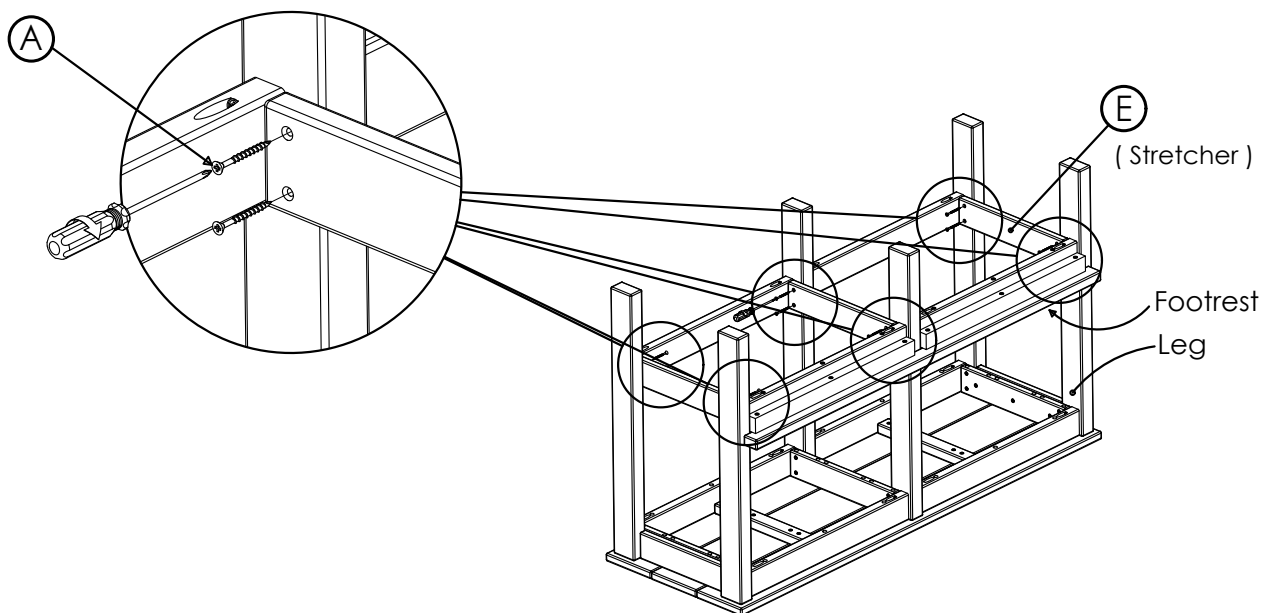


Figure 3

3 - Finalize the assembly of bench by attaching the 3 Stretcher (E). Starting at one end, align the Stretcher with the predrilled holes on the inside of each Leg (at the same height as the foot rest) and, as we did in the previous steps, insert a Screw (A) in through the hole and tighten it a few turns. Repeat this for all four screws, attaching the Front and Back Legs. Before tightening, attach all 3 Stretcher. With all 3 Stretcher in place, finish tightening all 12 screws.



CARE AND MAINTENANCE

To clean your product, use mild soap and water. For heavy soil build-ups use any non-abrasive household cleaners or ask your Sales Representative about Sister Bay Furniture Cleaner.

Please contact our Customer Service Department for assembly assistance, questions or replacement parts at 1-866-947-7632 or email info@sisterbayfurniture.com. Our Customer Service Department is available Monday - Friday from 8:30 a.m. to 4:30 p.m. EST