

Item No: MHUD-DT28
Hudson 28" Dining Table

Item No: MHUD-DT30
Hudson 30" Dining Table

Item No: MHUD-DT28B
Hudson 28" Bar Table

Item No: MHUD-DT30B
Hudson 30" Bar Table

Hardware and Parts

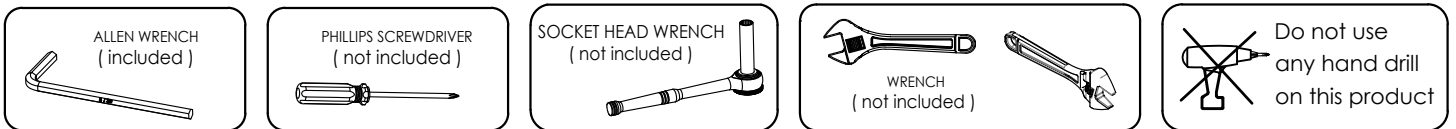
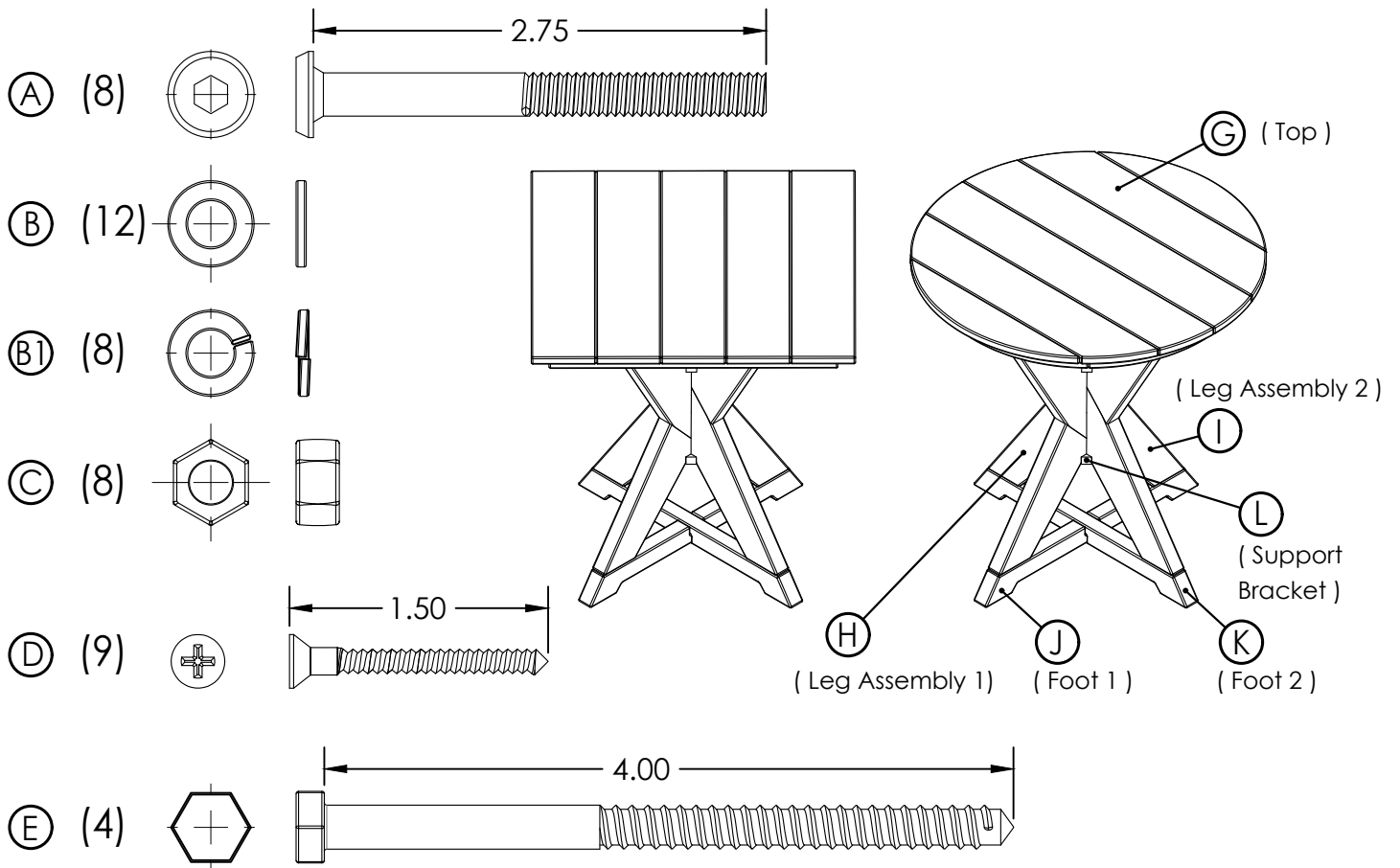


Figure 1

1- After laying out all components, locate Leg Assembly 1 (H) and Leg Assembly 2 (I) and cross them over each other as shown in the graphic below. Secure them in place using a Support Bracket (L) and (4) 1-1/2 Screws (D). Tighten the screw until the top is flush with the top of the Support Bracket.

Carefully turn the legs over and attach the other Support Bracket (L). Tighten the 4 screws (D) until they are flush with the top of the Support Bracket.

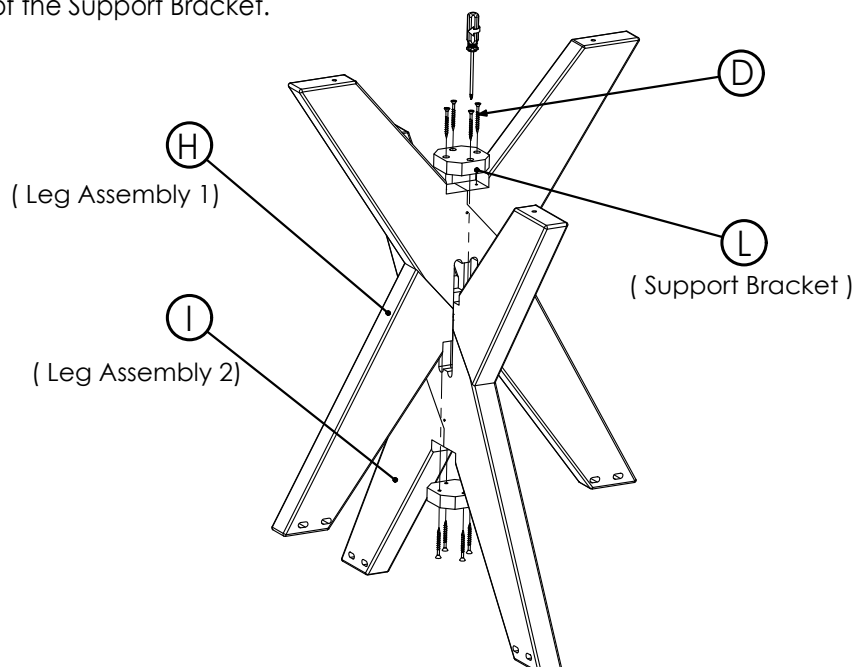


Figure 2

2 - Place and align the top of the legs with the aluminum support holes in the Table Top (G). The top of the legs have slots cut in them for ease of assembly. Align and insert a bolt (A) into all 8 holes, insert washers (B) (B1) and hex nut (C) from the opposite side. Once all bolts are in place the next step is to tighten the bolts (A) and hex nuts (C). Use the Allen Wrench and Adjustable Wrench to tighten all 8 connections, assembly shown in detail below.

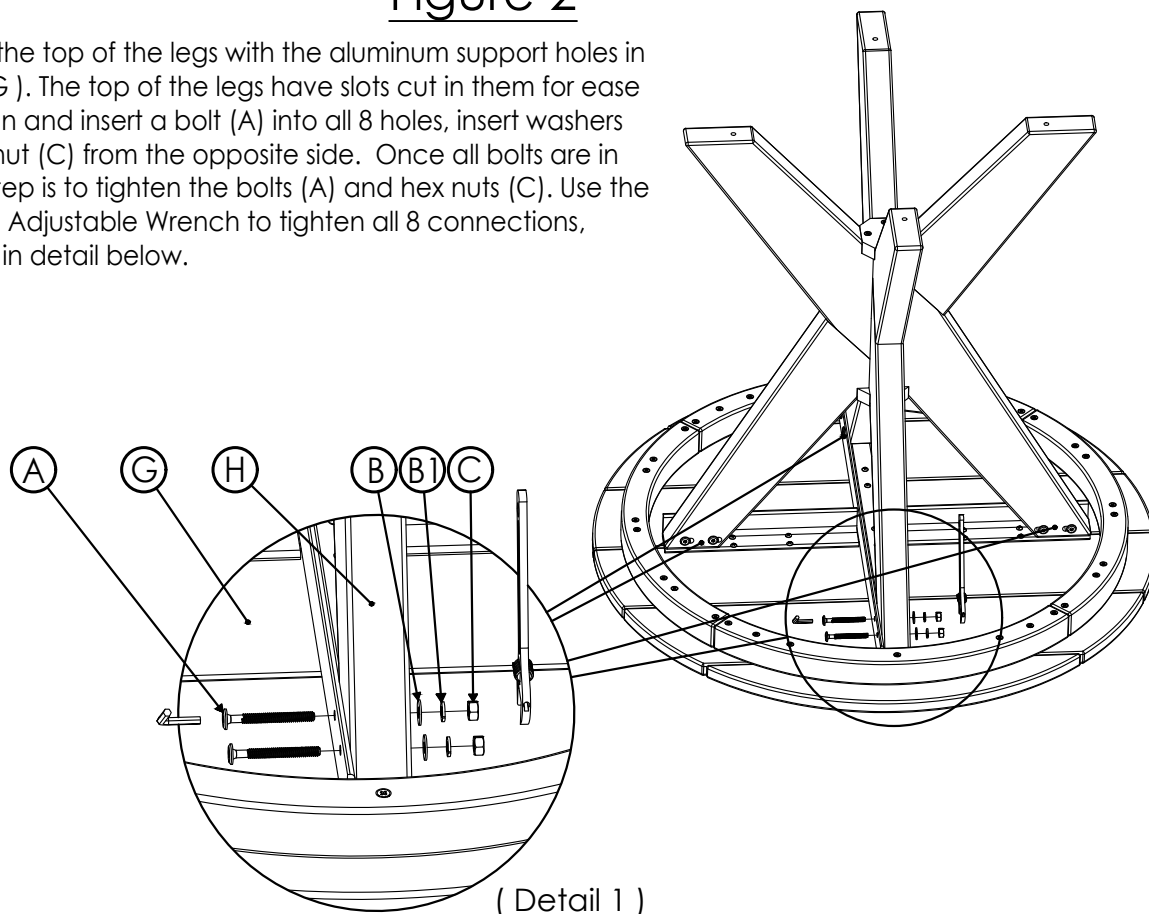
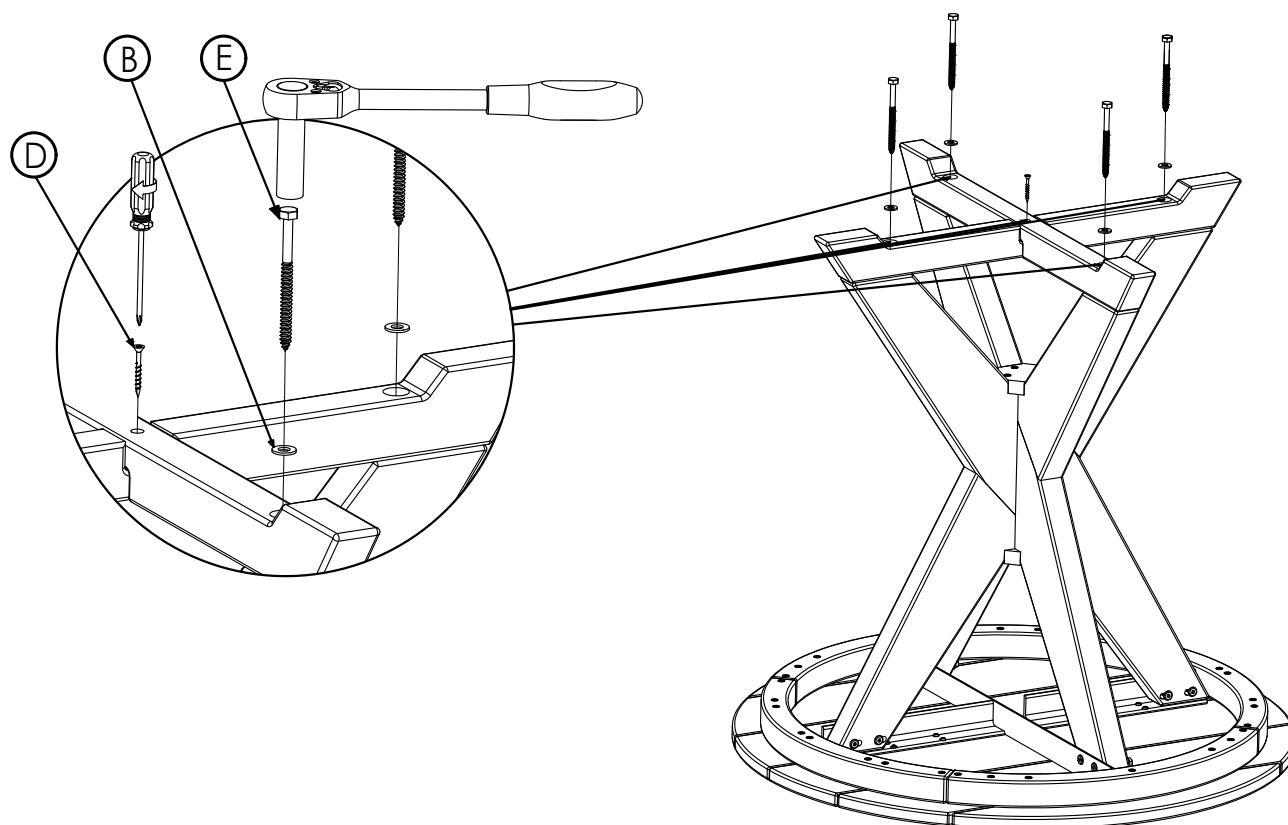


Figure 3

3 - Finalize the assembly of table by attaching the Feet. With the table still on it's Top, place Foot 1 (J) and Foot 2 (K) on the of the Legs. Putting a Lock Washer (B1) and Washer (B) on each Lag Screw (E), push the screw into each hole as shown below. Tighten the Lag Screw into the predrilled hole with a Socket Wrench. Next, secure the cross of the Feet with a single Screw (D) in the center, driving the screw until flush with a screwdriver.



CARE AND MAINTENANCE

To clean your product, use mild soap and water. For heavy soil build-ups use any non-abrasive household cleaners or ask your Sales Representative about Sister Bay Furniture Cleaner.

Please contact our Customer Service Department for assembly assistance, questions or replacement parts at 1-866-947-7632 or email info@sisterbayfurniture.com. Our Customer Service Department is available Monday - Friday from 8:30 a.m. to 4:30 p.m. EST

