

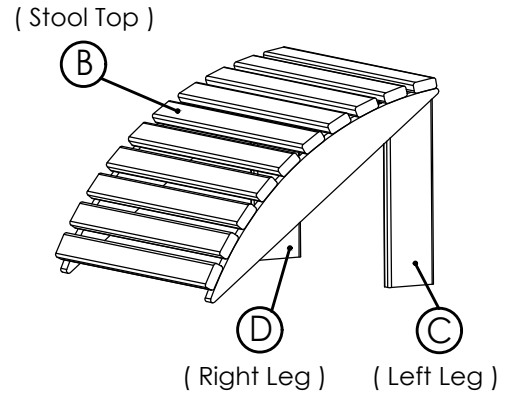
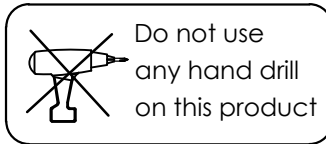
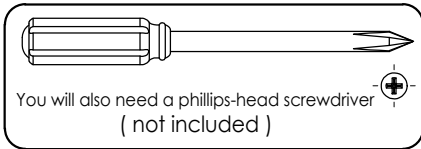
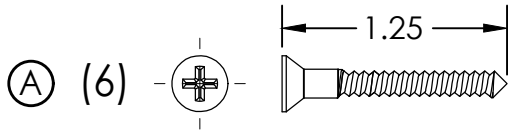
# SISTER BAY

FURNITURE CO.

## Assembly Instructions

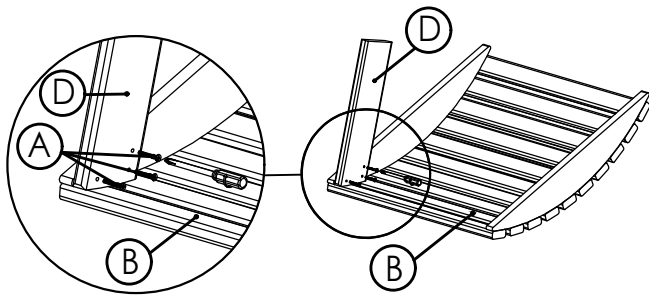
Item No: MFS  
Footstool

### Hardware and Parts



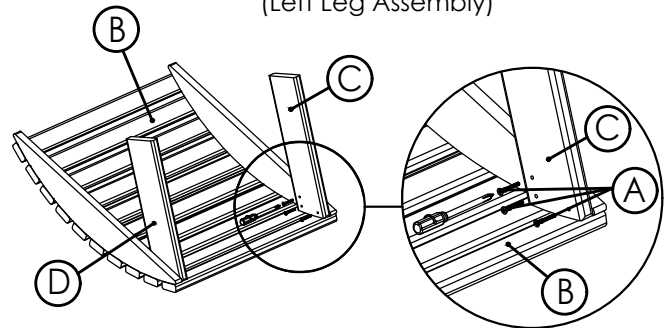
### Assembly Instructions

Figure 1  
(Right Leg Assembly)

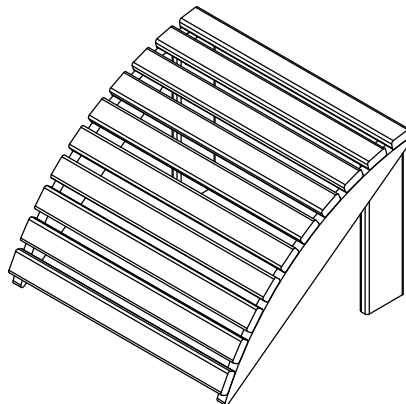


1 - Attach part ( D ) , Right Leg , to part ( B )  
Stool Top , as shown in figure 1. Use ( 3 )  
of screw ( A ) and tighten screws using a  
phillips-head screwdriver.

Figure 2  
(Left Leg Assembly)



2 - Attach the assembly from Figure 1 to part  
( C ) Left Leg , as shown in figure 2. Use ( 3 )  
of screw ( A ) and tighten screws using a  
phillips-head screwdriver .



### CARE AND MAINTENANCE

To clean your product, use mild soap and water. For heavy soil build-ups use any non-abrasive household cleaners or ask your Sales Representative about Sister Bay Furniture Cleaner.

Please contact our Customer Service Department for assembly assistance, questions or replacement parts at 1-866-947-7632 or email [info@sisterbayfurniture.com](mailto:info@sisterbayfurniture.com). Our Customer Service Department is available Monday - Friday from 8:30 a.m. to 4:30 p.m. EST