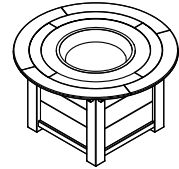
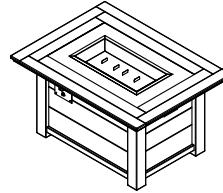
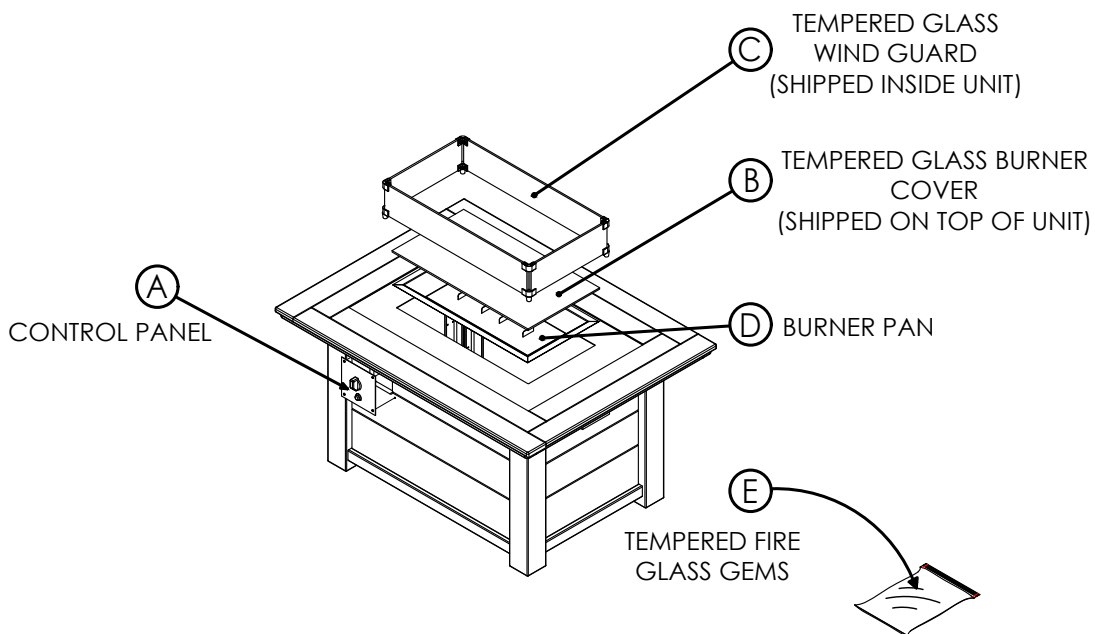


Congratulations on your new Fire Table! It is fully assembled and has a few accessories that need to be put together and placed. Please follow this set of guidelines to ensure your Fire Table will be ready to use for years to come!



(AS SHOWN)

Components



Setup Instructions

Figure 1

- 1- Position the Fire Table roughly where it will be located. Choose a firm, level surface with a minimum of 24" from any side wall and at least 72" clearance above in a well ventilated area. We need access to the inside of the fire table. Carefully set the bags of Glass Gems (E) and box with the Glass Cover (B) to the side. With the help of a partner, lift the Burner Pan (D) up and hold it to one side. The pan will remain connected to the Control Panel (A) and Regulator, so don't pull too far. We need just enough room to remove the box with the Wind Guard (C). Take the box out, set it to the side, and replace the Burner Pan.

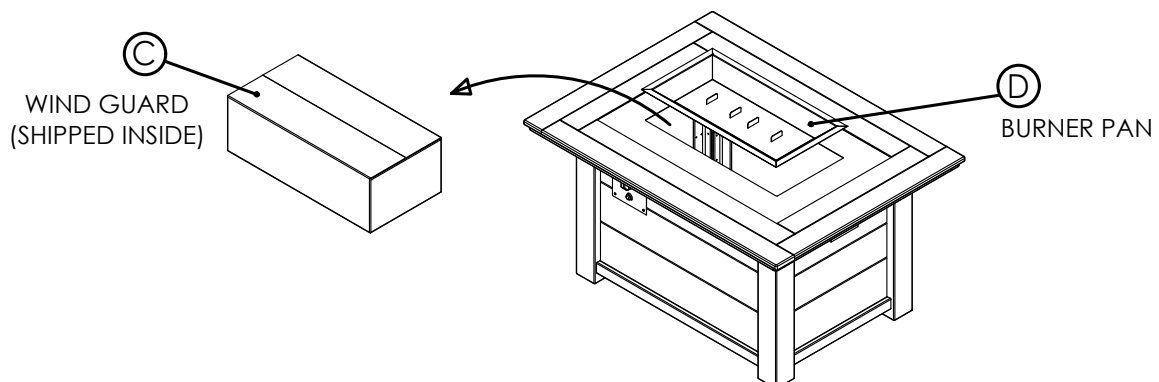


Figure 2

- 2- With the Wind Guard box removed, and the Burner Pan back in place, open the Gems bag (E) and slowly fill the Burner Pan. Use your hand to spread them out evenly.

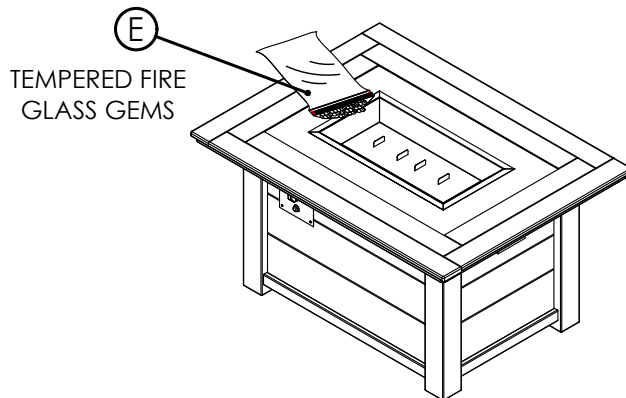
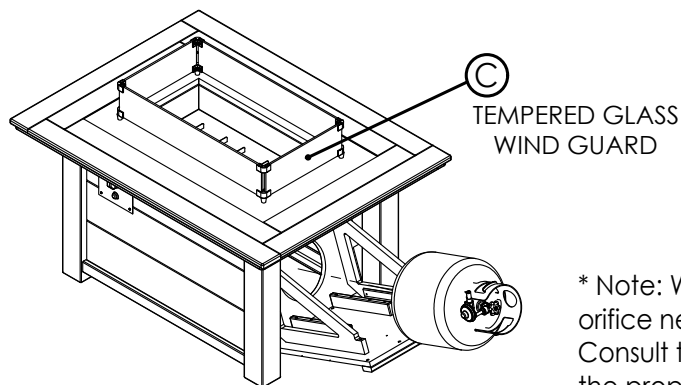


Figure 3

- 3- Now that the Gems are in place, the Wind Guard (C) needs to be assembled. Use the included Instruction Manual to do so. This guard **MUST** be in place at all times during use. Failure to do so may result in damage to the top. Your new Fire Table comes plumbed for Propane*. A standard 20 lb/4.5 gallon tank will fit into the tilt out access location, simply connect the regulator to the tank. Your Fire Table is ready for use! Use the Burner Pan Operation Manual for safe operation procedure and considerations.

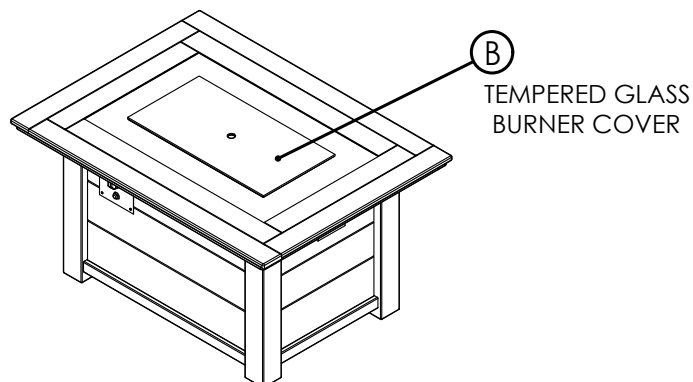


* Note: When using natural gas, the orifice needs to be changed. Consult the Operation Manual for the proper installation.

Figure 4

- 4- Between uses, protect the polished stainless steel Burner Pan and keep debris out of the Gems by covering the unit with the supplied Tempered Glass Burner Cover (B).

* The Tempered Glass Burner Cover (B) is only meant to protect the polished stainless steel Burner Pan and keep debris out and it **MUST NOT** be left on the unit while the flame is burning or the Fire Pan is hot. Failure to follow may cause the Tempered Glass Cover (B) to break or shatter.



CARE AND MAINTENANCE

To clean your burner pan and surround, use a stainless steel cleaner with a soft rag. To clean your product, use mild soap and water. For heavy soil build-ups use any non-abrasive household cleaners or ask your Sales Representative about Sister Bay Furniture Cleaner.

Please contact our Customer Service Department for assembly assistance, questions or replacement parts at 1-866-947-7632 or email info@sisterbayfurniture.com. Our Customer Service Department is available Monday - Friday from 8:30 a.m. to 4:30 p.m. EST