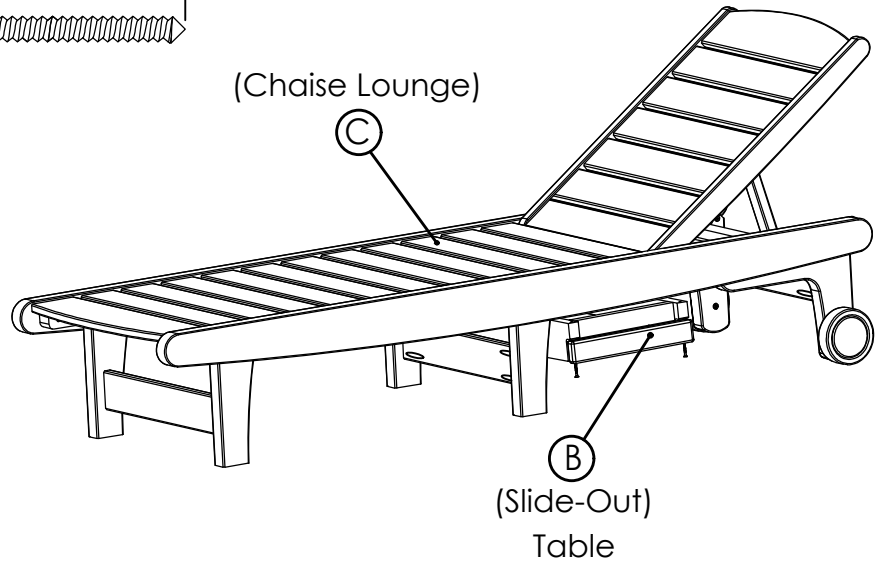
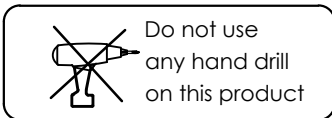
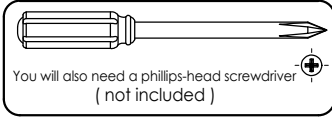
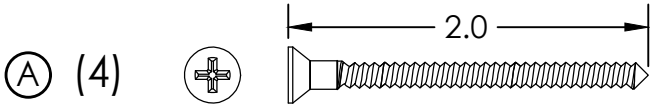


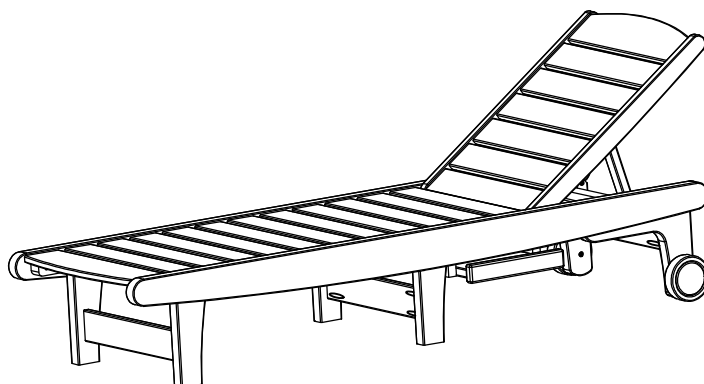
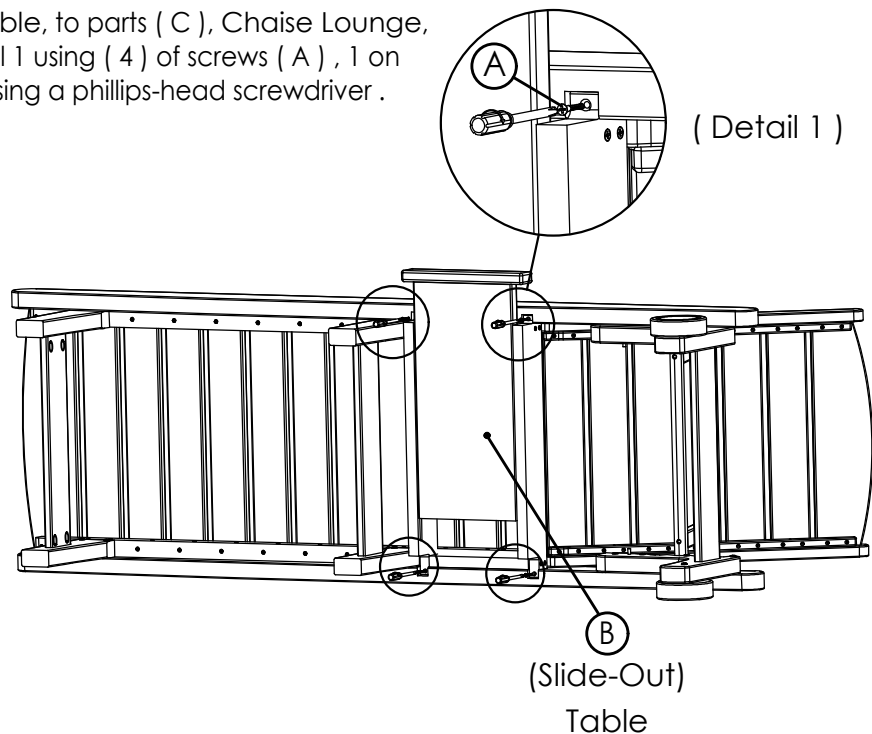
Hardware and Parts



Assembly Instructions

Figure 1

- 1- Attach part (B), Slide-Out Table, to parts (C), Chaise Lounge, as shown in Figure 1, see detail 1 using (4) of screws (A) , 1 on each corner, tighten screws using a phillips-head screwdriver .



CARE AND MAINTENANCE

To clean your product, use mild soap and water. For heavy soil build-ups use any non-abrasive household cleaners or ask your Sales Representative about Sister Bay Furniture Cleaner.

Please contact our Customer Service Department for assembly assistance, questions or replacement parts at 1-866-947-7632 or email info@sisterbayfurniture.com. Our Customer Service Department is available Monday - Friday from 8:30 a.m. to 4:30 p.m. EST