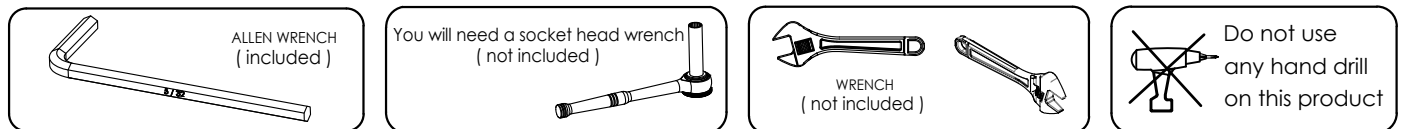
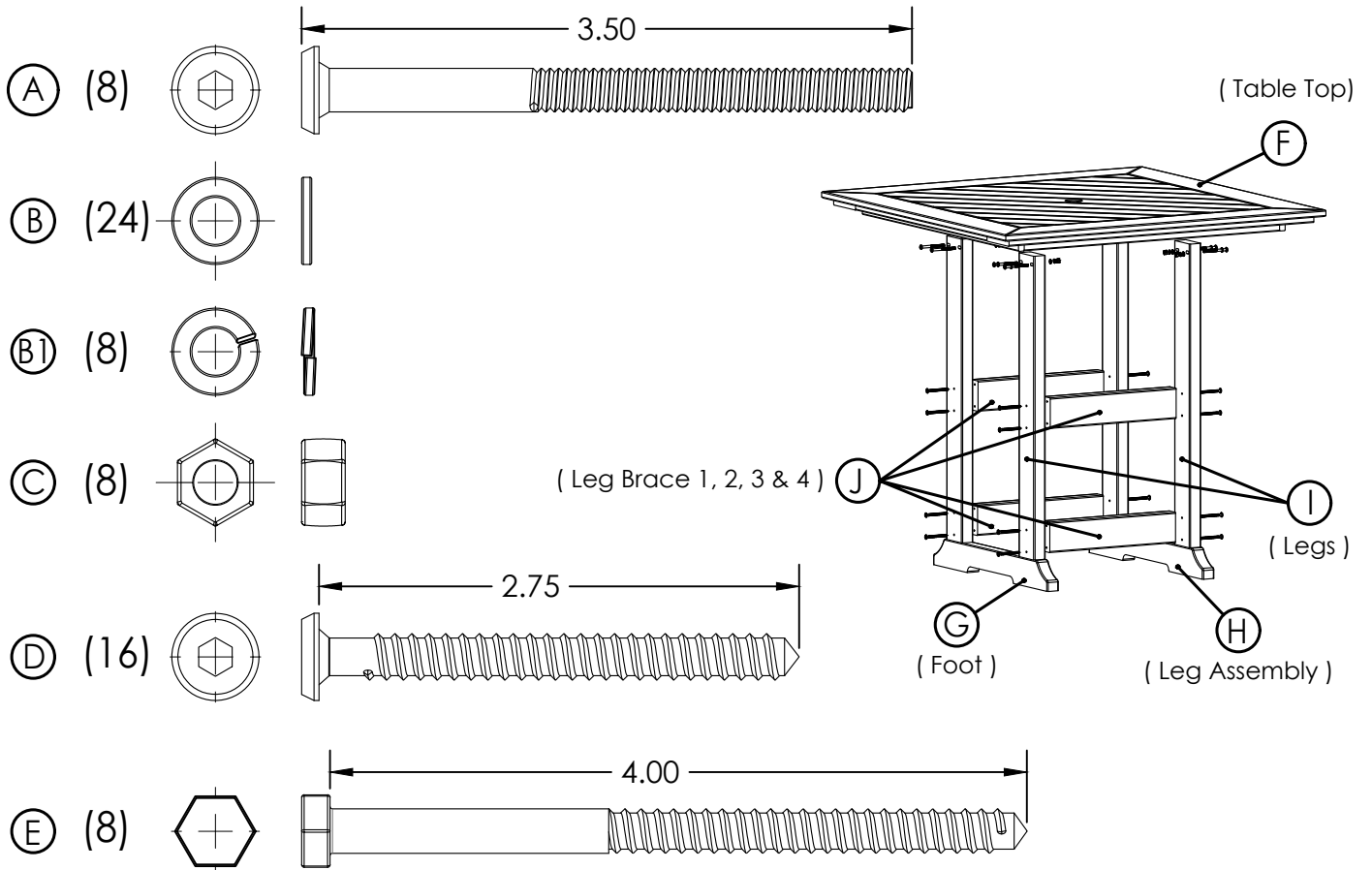


Hardware and Parts



Assembly Instructions

Figure 1

1- Attach part (G), Foot to part (I) leg using (4) of screw (E) 2 for each leg, (4) washer (B) tighten bolts using a socket head wrench, see detail 1. Follow the same instructions for the remaining legs.

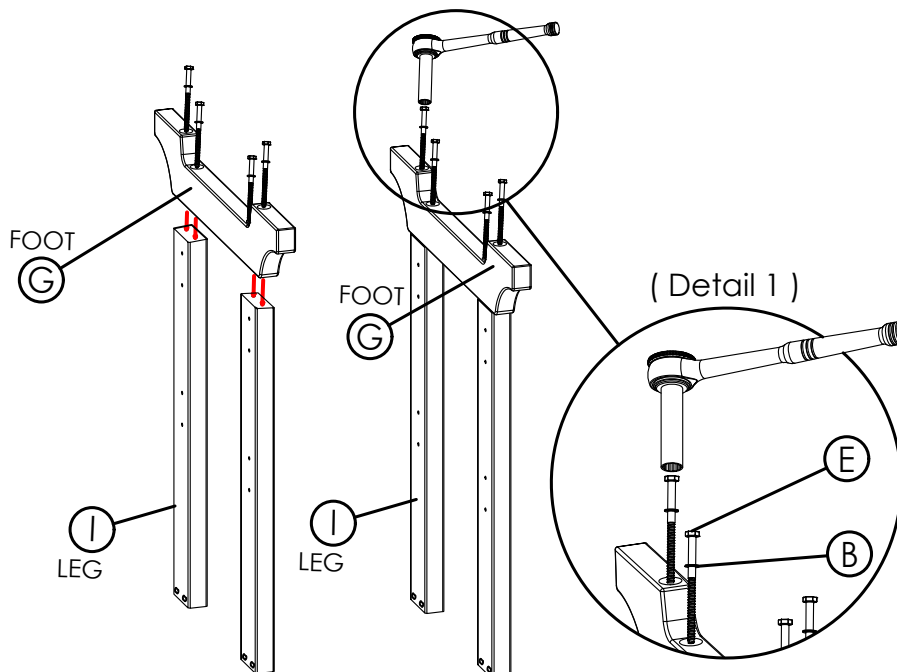


Figure 2

2 - Attach part (H), Leg Assembly, to part (F), Table Top, as shown in Figure 2 see detail 2 using (8) of joint connector bolts (A), (16) washers (B), (8) lock washers (B1) and (8) hex nuts (C), tighten bolts using an allen wrench and also an adjustable wrench.

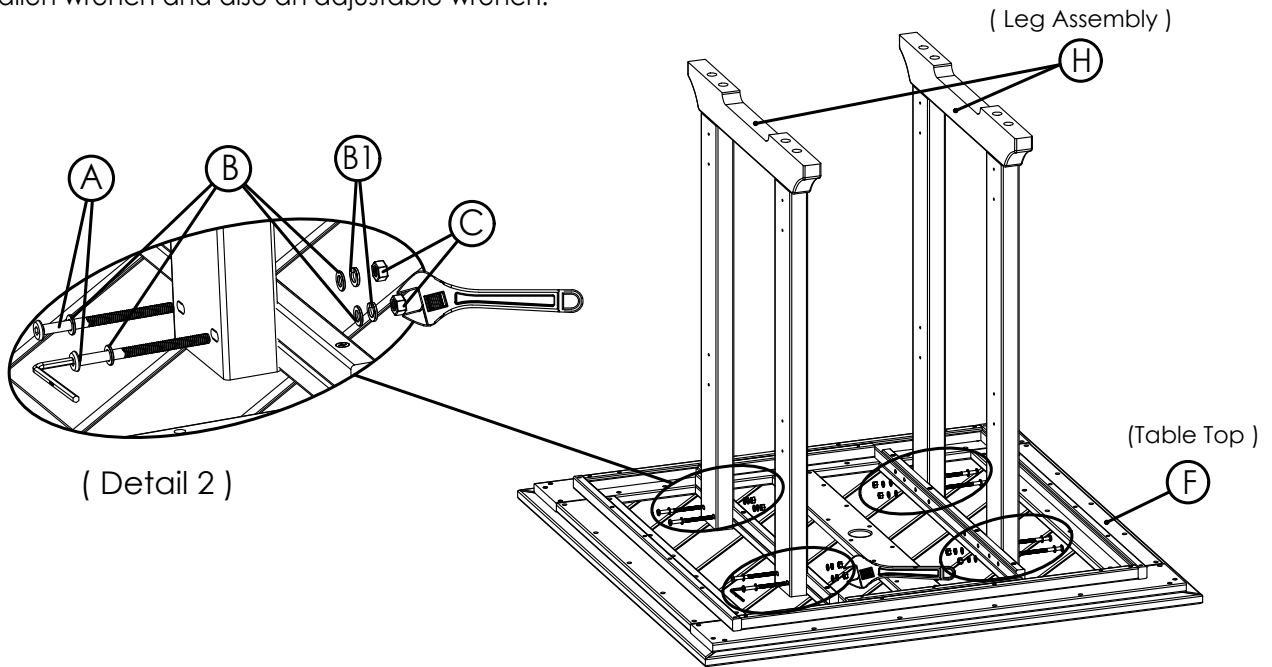
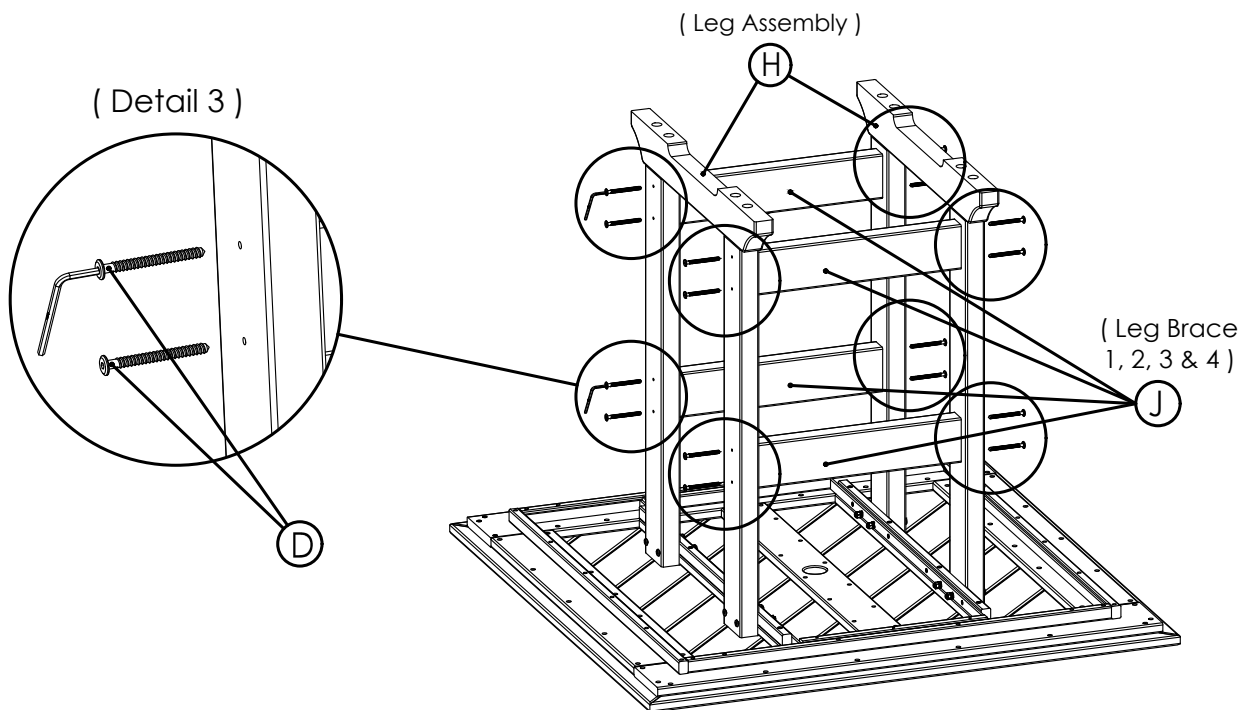


Figure 3

3 - Attach part (J), Leg Brace 1, 2, 3 & 4, to part (H), Leg Assembly, as shown in Figure 3 see detail 3 using (16) of screw (D), and tighten screws using an allen wrench.



CARE AND MAINTENANCE

To clean your product, use mild soap and water. For heavy soil build-ups use any non-abrasive household cleaners or ask your Sales Representative about Sister Bay Furniture Cleaner.

Please contact our Customer Service Department for assembly assistance, questions or replacement parts at 1-866-947-7632 or email info@sisterbayfurniture.com. Our Customer Service Department is available Monday - Friday from 8:30 a.m. to 4:30 p.m. EST