

SISTER BAY

FURNITURE CO.

Assembly Instructions

Item No: MENT-24
24" X 24" END TABLE

Hardware and Parts

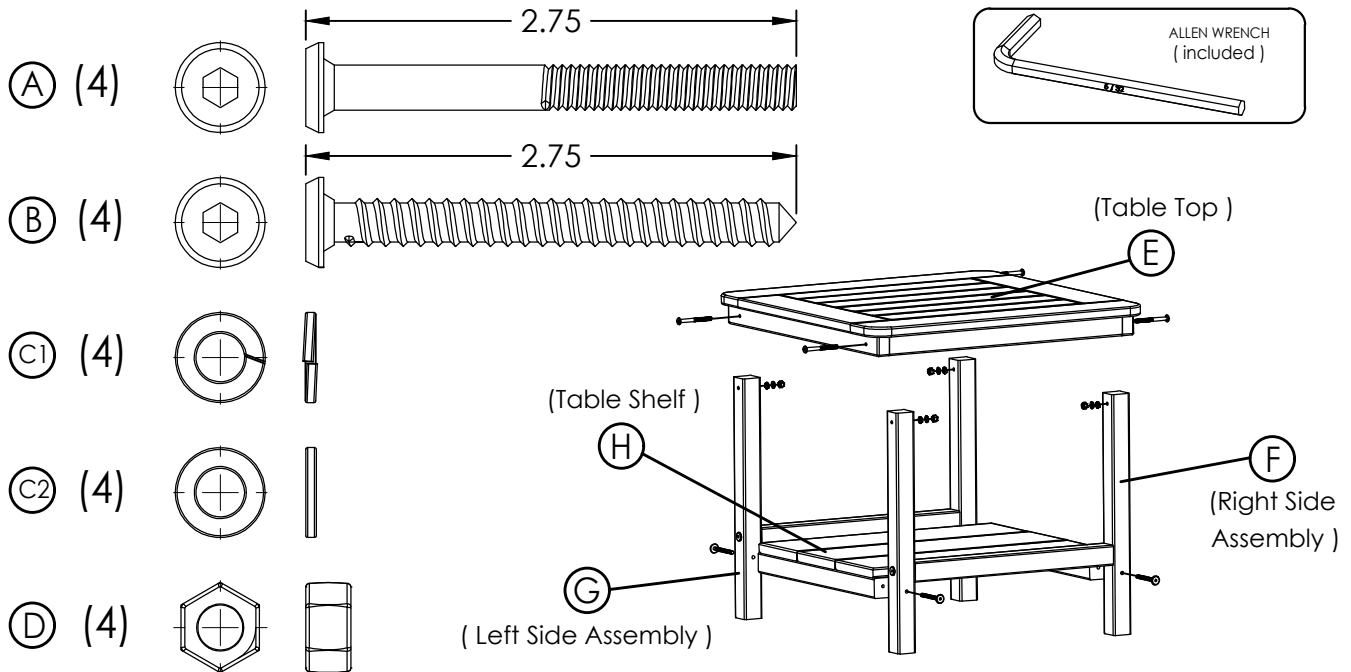
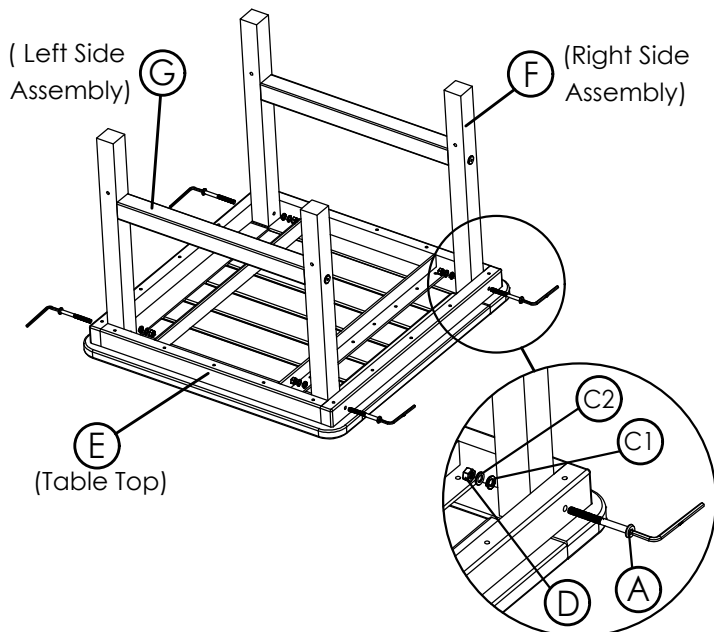


Figure 1

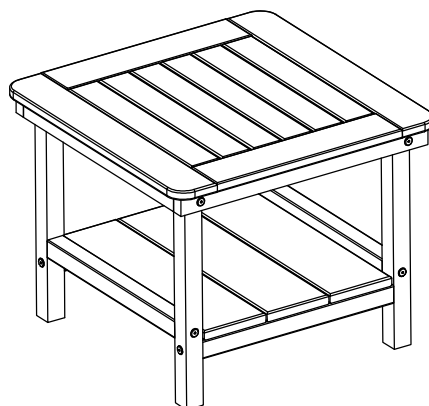
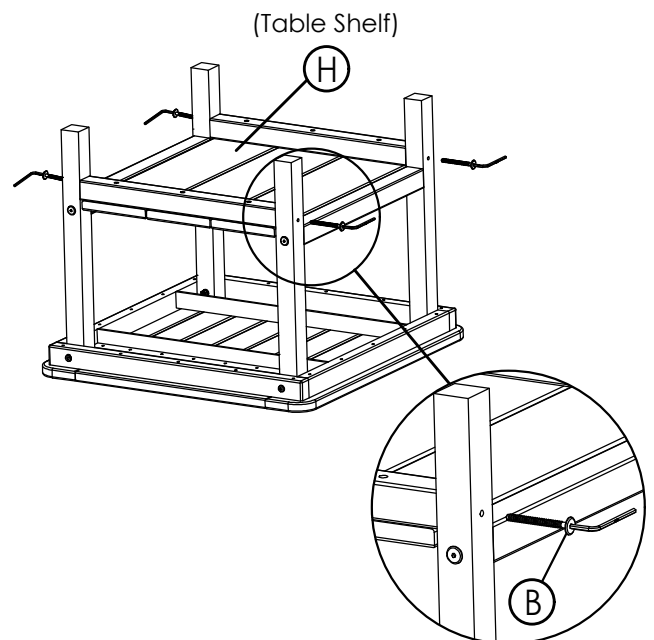
Assembly Instructions

Figure 2

1 - Attach part (F), Right Side Assembly, and part (G), Left Side Assembly to to part (E), Table Top as shown in Figure 1 using (4) of joint connector bolts (A), (4) lock washers (C1), (4) washers (C2) and (4) hex nuts (D), tighten bolts using an allen wrench .



2 - Attach part (H), Table Shelf, to Assembly from figure 1 as shown in figure 2. Align and insert 4 of screw (B) into holes and tighten screws using an allen wrench.



CARE AND MAINTENANCE

To clean your product, use mild soap and water. For heavy soil build-ups use any non-abrasive household cleaners or ask your Sales Representative about Sister Bay Furniture Cleaner.

Please contact our Customer Service Department for assembly assistance, questions or replacement parts at 1-866-947-7632 or email info@sisterbayfurniture.com. Our Customer Service Department is available Monday - Friday from 8:30 a.m. to 4:30 p.m. EST