

SISTER BAY

FURNITURE CO.

Assembly Instructions

Item No: MENT-2236
22" X 36" Coffee Table

Hardware and Parts

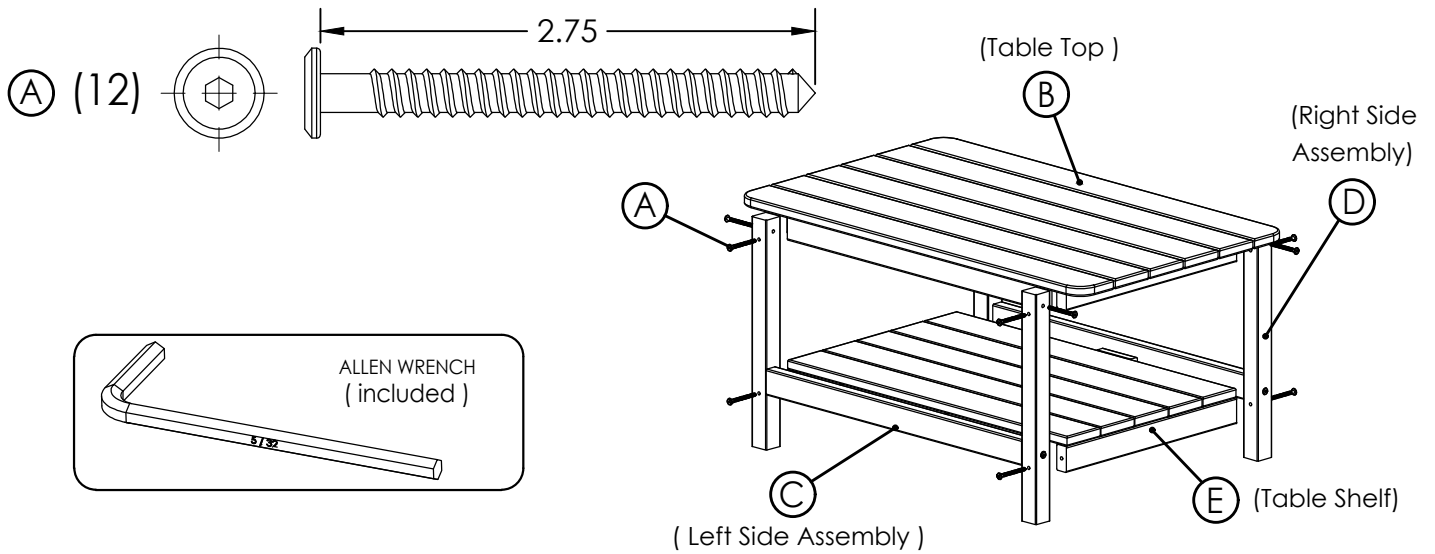


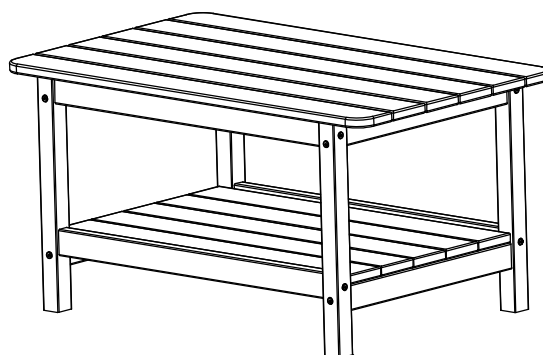
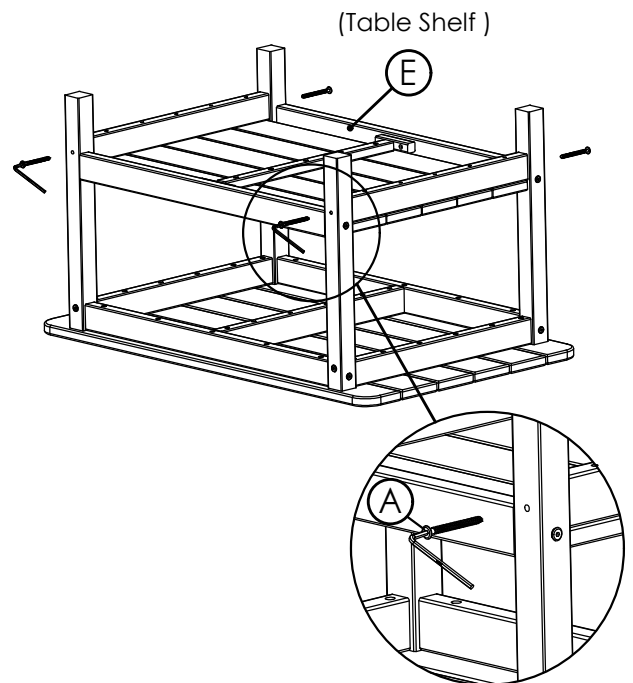
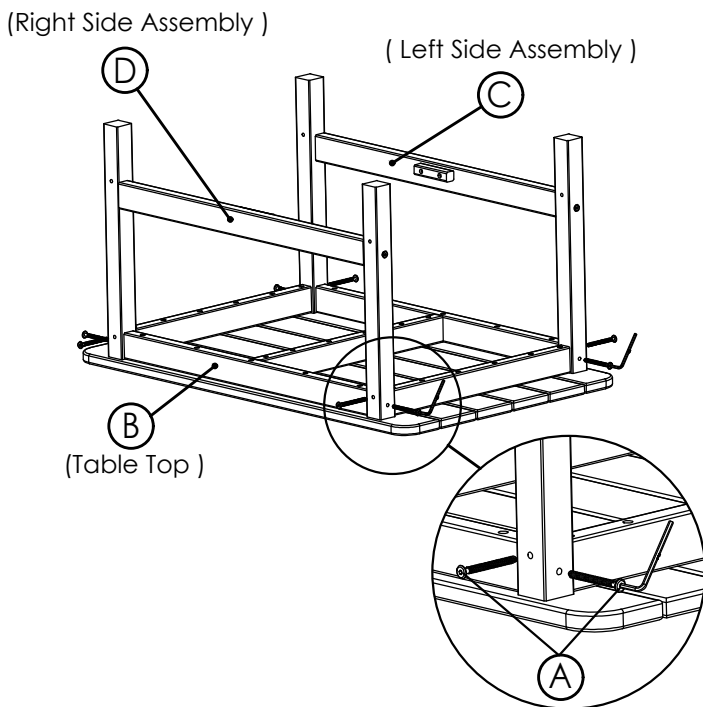
Figure 1

Assembly Instructions

Figure 2

1 - Attach part (C), Left Side Assembly, and part (D), Right Side Assembly, to part (B), Table Top, as shown in figure 1. Align and insert 8 of screw (A) into holes and tighten screws using an Allen Wrench.

2 - Attach part (E), Table Shelf, to Assembly from figure 1 as shown in figure 2. Align and insert 4 of screw (A) into holes and tighten screws using an Allen Wrench.



CARE AND MAINTENANCE

To clean your product, use mild soap and water. For heavy soil build-ups use any non-abrasive household cleaners or ask your Sales Representative about Sister Bay Furniture Cleaner.

Please contact our Customer Service Department for assembly assistance, questions or replacement parts at 1-866-947-7632 or email info@sisterbayfurniture.com. Our Customer Service Department is available Monday - Friday from 8:30 a.m. to 4:30 p.m. EST